

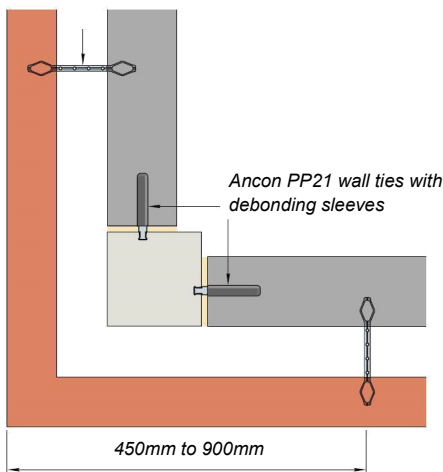
## Installation Guide

# Vertical Movement Joints

Debonding sleeves are used on plain-ended wall ties, like the Ancon PP21 or PPB, at vertical movement joints. The tie will restrain the masonry against lateral wind loads whilst the sleeve will allow the masonry to expand or contract.

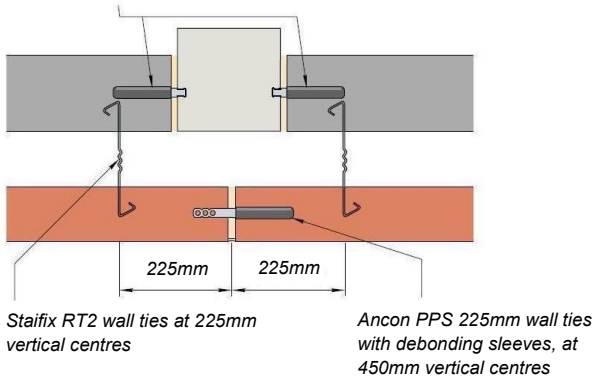
Debonding sleeves should be installed with a 10mm gap at the end to allow for expansion of the masonry.

Ancon ST1 wall tie



### External Corner with Fully Bonded Brickwork

Ancon PP21, 125mm wall ties with debonding sleeves



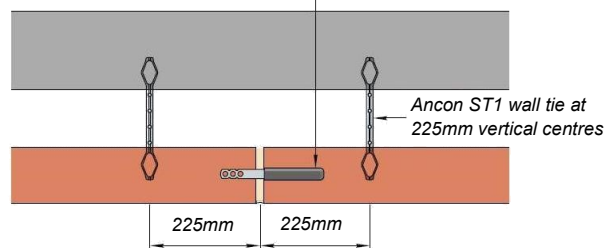
### Intermediate Column with Vertical Movement Joints in both

### Ancon PPS Wall Tie with Debonding Sleeve

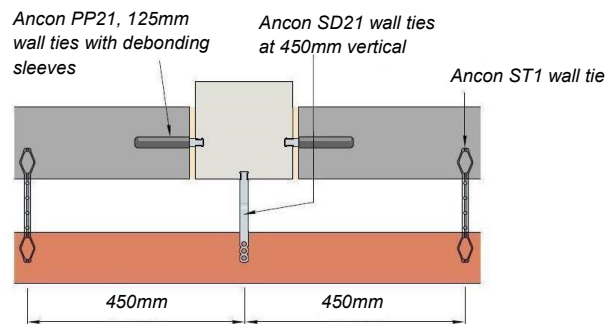
Debonding sleeves should be pulled back 10mm to allow expansion as well as contraction of brickwork.

10mm Gap

Ancon PPS wall ties with debonding sleeves, at 450mm vertical centres



### Cavity Wall with Vertical Movement Joint in Brickwork



### Intermediate Column with Vertical Movement Joints in Blockwork

**Note:** All spacings are maximums. The type of cavity wall tie and spacing will be determined by the cavity width, height of brickwork, wind loading and type of building.

The Construction applications and details provided in this guide are indicative only. In every case installation should be entrusted to appropriately qualified and experienced persons. Normal handling precautions should be taken to avoid physical injury. The company cannot be held responsible for any injury as a result of using our products, unless such injury arises as a result of our negligence.

© Protected by copyright