

Design Sheet - SAH Sliding Anchors and Ties

Submit Form

Standard dimensions are shown. Complete all necessary boxes to specify your product requirements. Return the completed form to us to request a quotation.

Contact Details

Contact name.....

Company.....

Address.....

.....

.....

Tel.....

.....

Fax.....

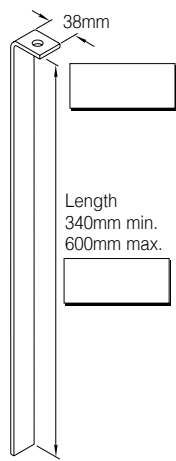
Email.....

Project name and town.....

.....

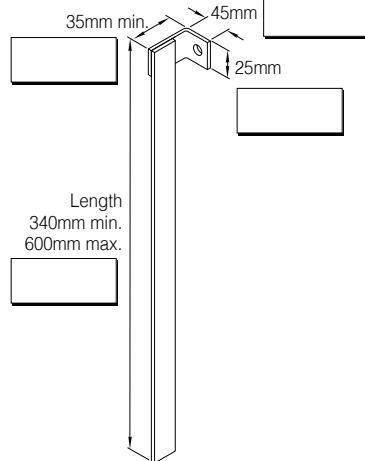
Standard Head Options

SAH - U



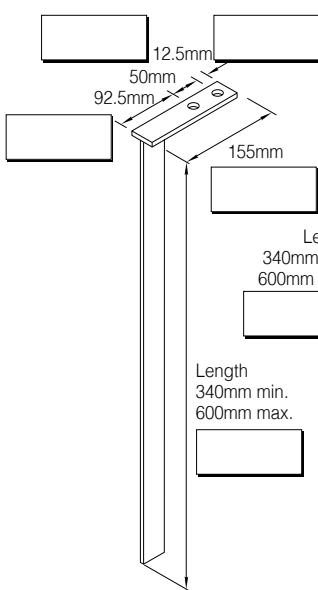
Quantity

SAH - UF



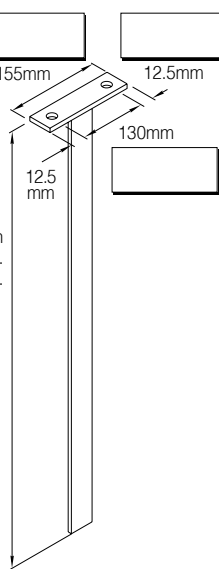
Quantity

SAH - UO



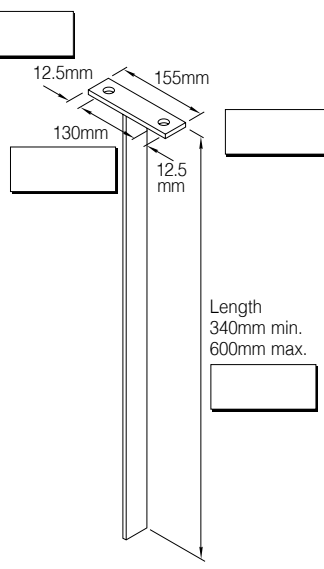
Quantity

SAH - UT



Quantity

SAH - UC



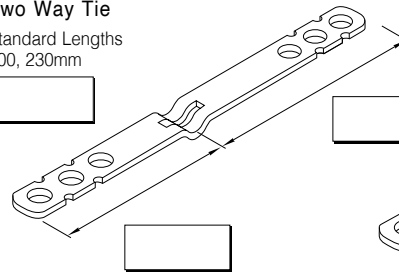
Quantity

Wall Ties

SIS

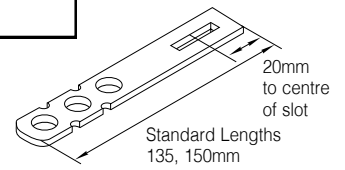
Two Way Tie

Standard Lengths
200, 230mm



Quantity

SPI
One Way Tie

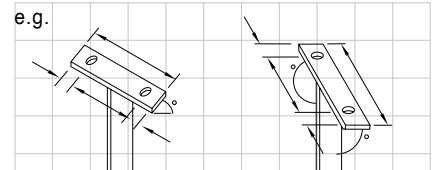


Quantity

Substrate	Hole diameter in SAH head	Fixing
Concrete (post-fixed)	12mm	FAZII10/30R expansion bolt
Concrete (28/15 cast-in channel)	12mm	T281030 M10x30mm T-head bolt
Concrete (30/20 cast-in channel)	14mm*	T301250 M12x50 T-head bolt
Steel (with access to rear)	12mm	M10x40mm isolated setscrew
Hollow steel (4-12mm thick)	7mm*	SDTSS-38-5PT self-drilling/tapping screw

*Non-standard hole size

Non-Standard Head Options



Please sketch requirements and provide dimensions.

Quantity

Email to tech.ancon.uk@leviat.com

Leviat, President Way, President Park, Sheffield, S4 7UR, UK.

Tel: +44 (0) 114 275 5224, Web: Ancon.co.uk | Leviat.com

Ancon[®]