

✓ **Fully compliant with The Building (Amendment) Regulations 2018:**
The Government's ban on combustible materials in external walls, following a review of fire safety in high-rise residential buildings

Ancon[®]
SSTC and STC Thermally Insulated Balcony Connectors
For Steel-to-Concrete Applications



We are one team. **We are Leviat.**

Leviat is the new name of CRH's construction accessories companies worldwide.

Under the Leviat brand, we are uniting the expertise, skills and resources of Ancon and its sister companies to create a world leader in fixing, connecting and anchoring technology.

The products you know and trust will remain an integral part of Leviat's comprehensive brand and product portfolio. As Leviat, we can offer you an extended range of specialist products and services, greater technical expertise, a larger and more agile supply chain and better, faster innovation.

By bringing together CRH's construction accessories family as one global organisation, we are better equipped to meet the needs of our customers, and the demands of construction projects, of any scale, anywhere in the world.

This is an exciting change. Join us on our journey.

Read more about Leviat at [Leviat.com](https://www.leviat.com)



Our product brands include:

Ancon


HALFEN

HELIFIX 

 **ISEDIO**

PLAKA



60
locations

sales in
30+
locations

3000
people worldwide

Imagine. Model. Make.

Leviat.com

Steel-to-Concrete Balcony Connectors

High integrity structural solutions to minimise cold bridging and its associated issues

Energy efficiency is becoming increasingly important in today's sustainable building designs and the thermal performance of the building envelope is a key design consideration.

At the same time, architects are looking to create stylish, aesthetically appealing, mixed-use developments that combine high density occupancy with accessible outdoor space. Balconies often provide the answer, but as they typically pass through the building envelope, the fixing detail requires special attention to minimise thermal bridging and its various consequences, such as condensation and mould growth.

Thermal bridges occur where the insulation layer is penetrated by a material with a relatively high thermal conductivity.

Ancon thermally insulated connectors minimise heat loss at balcony locations while maintaining structural integrity. They provide a thermal break by inserting a material with a low thermal conductivity between elements with a higher conductivity.

As a critical structural component, they transfer moment, shear, tension and compression forces.

Ancon steel-to-concrete balcony connectors are available with either carbon steel brackets (STC) or, for maximum thermal efficiency, stainless steel brackets (SSTC).

Material Combustibility

Following a review of fire safety, the Government has banned the use of combustible materials in the external walls of high-rise residential buildings in England. The Ancon SSTC and STC connectors are fully compliant with the material combustibility requirements of The Building (Amendment) Regulations 2018. All components are either European classification A1 or A2-s1,d0. Contact us for further information.

Thermal Performance

Thermal modelling of a typical insulated render wall application using Ancon SSTC and STC connectors confirms that the temperature factor is within the limits detailed in BRE document IP1/06 for eliminating condensation risk in dwellings, residential buildings, schools, offices and retail premises (0.75). In addition, the SSTC thermal report demonstrates suitability in higher humidity areas such as sports halls, kitchens and canteens (0.8). Contact us for further information.

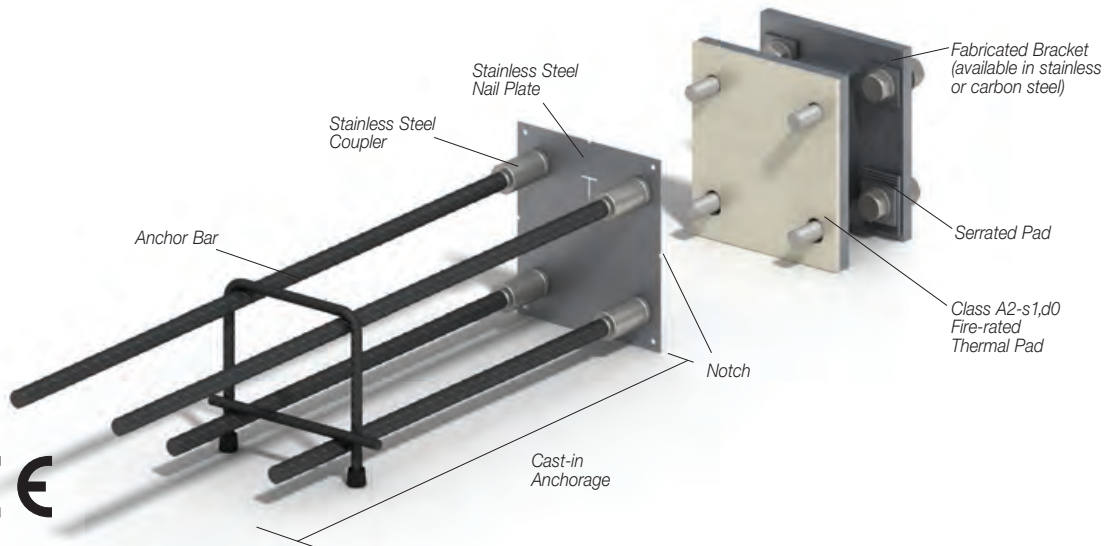
Contents

Introduction and SSTC Stainless Steel Range	3
SSTC Design Resistances	4
STC Carbon Steel Range	5
STC Design Resistances	6-7
Local Reinforcement	8-10
Corner Details	11-13
Installation Guidance	14
Other Ancon Products	15

UKCA and CE Marking

Construction products which fall within the scope of a Designated and harmonised standards should carry UKCA and CE marking under the Construction Products Regulation. For steel fabrications like the Ancon SSTC/STC balcony connector, the harmonised standard is BS EN 1090-1 Execution of steel structures and aluminium structures: Requirements for conformity assessment of structural components. We comply with all UKCA and CE requirements of this standard including designs to EN 1993 (Eurocode 3) and external certification of our factory production controls by an approved body.





SSTC and STC Balcony Connectors

The Ancon SSTC and STC range of steel-to-concrete balcony connectors is used to anchor steel balconies to concrete floor slabs and has been proven through thermal modelling to reduce heat loss when compared to direct connections.

The two-part assembly, comprising a cast-in anchorage and a post-fixed bracket with thermal pad located at the interface, allows for phased construction. Unlike one-piece systems which must be left exposed on-site for some time, the Ancon bracket component is not fixed until required, reducing the risk of damage.

Manufactured to order, bracket depth can be designed to suit the exact requirements of the application and avoid conflicts with the external cladding. The fabricated brackets are manufactured from either 1.4301 (304) stainless steel (SSTC) or hot-dip galvanised S355 plain carbon steel (STC). Stainless steel offers the

greater thermal efficiency and is essential for applications requiring enhanced corrosion protection such as coastal areas. The brackets are designed to EN 1993 (Eurocode 3) and CE-marked to EN 1090 Part 1.

Serrated pads and slots provide vertical adjustment in the final bracket position without the need for stop butts or levelling shims.

The thermal plate has an independently verified European reaction-to fire classification of A2-s1,d0.

Anchor bars are Grade B500B and are supplied fixed to Duplex stainless steel couplers. Anchorage design conforms to BS EN1992.

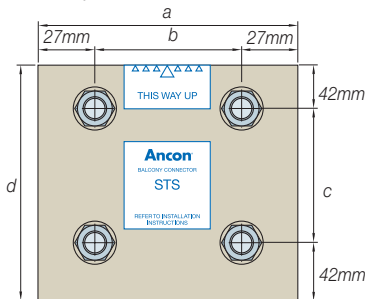
A stainless steel nail plate completes the assembly and features side notches indicating the centreline, normally matched to the centreline of the slab, for accurate installation.

System Benefits

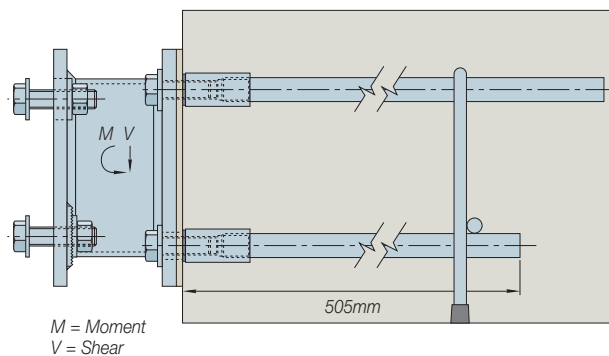
- ✓ Comprises materials of class A1/A2 combustibility only, ideal for high-rise construction
- ✓ Proven through thermal modelling to reduce heat loss and eliminate condensation risk
- ✓ Two-part assembly allows phased installation and avoids damage by other trades
- ✓ Simple nailplate design avoids cutting of formwork around the connector
- ✓ Variable bracket projection to suit wall construction and avoid conflict with cladding
- ✓ Serrated slots provide vertical adjustment on-site for fine tuning of balcony without levelling shims
- ✓ Bracket fabrication UKCA and CE marked to BS EN 1090-1
- ✓ Anchorage design conforms to BS EN1992
- ✓ Fully stainless steel option offers the ultimate corrosion protection / thermal efficiency benefits

SSTC Connector Range (Stainless Steel Bracket)

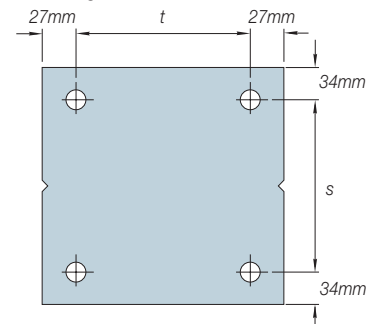
Faceplate



Cross Section of Connector



Nailing Plate



Dimensions (mm)

Product Reference	Width a	Fixing Centres b	Fixing Centres c	Height d	Anchorage Spacing s	Anchorage Spacing t
SSTC16A-150	184	130	66	150	82	130
SSTC16A-175	204	150	91	175	107	150
SSTC16A-200	204	150	116	200	132	150
SSTC16A-225	204	150	141	225	157	150

Product Referencing System

SSTC16A-150-320

Standard Stainless Steel Product Reference Bracket Projection

Carbon Steel equivalent: SSTC16A-150-320

Note: Recommended fixing bolt clearance hole diameter in balcony steelwork is 17mm.

Thermally Insulated Balcony Connectors

SSTC Design Resistances

The following tables may be used to select the appropriate standard system. They are based on C32/40 concrete. For other concrete strengths, please contact us.

Leviat's Technical Services Team can advise on Ancon SSTC system design and operate in-house design software to provide recommendations for specific project requirements.

Design Example

Known requirements:

The Factored Ultimate Shear Force per connector, V_{Ed} , is 50kN

The Factored Ultimate Moment per connector, M_{Ed} , is 15kNm

The slab thickness is 275mm and concrete grade is C32/40

The connector spacing is 750mm

From the tables:

- ✗ SSTC16A-150 does not give the required capacity in a 275mm slab
- ✗ SSTC16A-175 gives $V_{Rd} = 50\text{kN}$ and $M_{Rd} = 13.99\text{kNm}$, so it does not give the required capacity
- ✓ SSTC16A-200 gives $V_{Rd} = 50\text{kN}$ and $M_{Rd} = 15.58\text{kNm}$ and minimum centres <750mm
- ✗ SSTC16A-225 gives $V_{Rd} = 50\text{kN}$ and $M_{Rd} = 17.17\text{kNm}$ but centres >750mm

SSTC16A-150

Design Shear Resistance V_{Rd} (kN)	Minimum Connector Centres (mm)	Minimum Slab Edge Distance (mm)	Design Resistance for Bending M_{Rd} (kNm)						
			175mm slab	200mm slab	225mm slab	250mm slab	275mm slab	300mm slab	325mm slab
36.02	520	260	11.38	11.38	11.38	11.38	11.38	11.38	11.38
39.21	560	280	-	11.38	11.38	11.38	11.38	11.38	11.38
42.47	595	300	-	-	11.38	11.38	11.38	11.38	11.38
45.81	630	315	-	-	-	11.38	11.38	11.38	11.38
46.07			-	-	-	-	11.38	11.38	11.38
49.21	670	335	-	-	-	-	10.72	10.72	10.72
50.00			-	-	-	-	-	10.55	10.55
52.70	710	355	-	-	-	-	-	9.99	9.99
55.00			-	-	-	-	-	-	9.51
56.25	750	375	-	-	-	-	-	-	9.25

SSTC16A-175

Design Shear Resistance V_{Rd} (kN)	Minimum Connector Centres (mm)	Minimum Slab Edge Distance (mm)	Design Resistance for Bending M_{Rd} (kNm)						
			200mm slab	225mm slab	250mm slab	275mm slab	300mm slab	325mm slab	350mm slab
43.91	615	310	14.92	14.92	14.92	14.92	14.92	14.92	14.92
46.65			-	14.92	14.92	14.92	14.92	14.92	14.92
47.27	650	325	-	14.74	14.74	14.74	14.74	14.74	14.74
50.00			-	-	13.99	13.99	13.99	13.99	13.99
50.70	690	345	-	-	13.79	13.79	13.79	13.79	13.79
52.00			-	-	-	13.43	13.43	13.43	13.43
54.20			-	-	-	12.82	12.82	12.82	12.82
55.00			-	-	-	-	12.60	12.60	12.60
57.77	765	385	-	-	-	-	11.83	11.83	11.83
60.00			-	-	-	-	-	11.22	11.22
61.40	800	400	-	-	-	-	-	10.83	10.83
65.10	840	420	-	-	-	-	-	-	9.80

SSTC16A-200

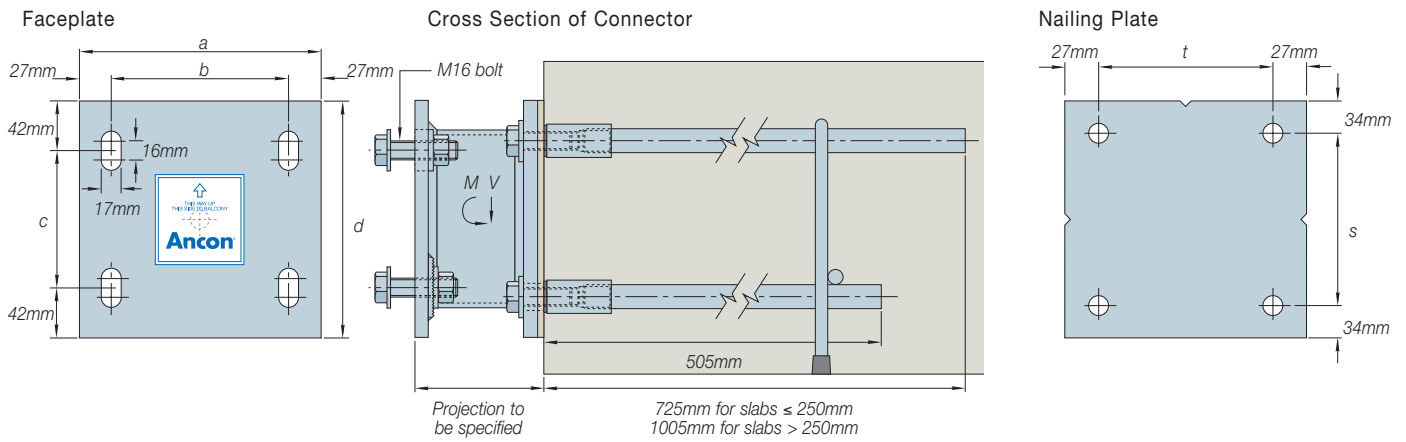
Design Shear Resistance V_{Rd} (kN)	Minimum Connector Centres (mm)	Minimum Slab Edge Distance (mm)	Design Resistance for Bending M_{Rd} (kNm)						
			225mm slab	250mm slab	275mm slab	300mm slab	325mm slab	350mm slab	375mm slab
46.00			16.80	16.80	16.80	16.80	16.80	16.80	16.80
50.00	690	345	15.58	15.58	15.58	15.58	15.58	15.58	15.58
50.70			15.36	15.36	15.36	15.36	15.36	15.36	15.36
54.20	730	365	-	14.28	14.28	14.28	14.28	14.28	14.28
55.00			-	-	14.03	14.03	14.03	14.03	14.03
57.77	770	385	-	-	13.18	13.18	13.18	13.18	13.18
61.40	800	400	-	-	-	12.06	12.06	12.06	12.06
65.10	840	420	-	-	-	-	10.92	10.92	10.92
68.85	880	440	-	-	-	-	-	9.76	9.76
70.00			-	-	-	-	-	-	9.40
72.67	920	460	-	-	-	-	-	-	8.58

SSTC16A-225

Design Shear Resistance V_{Rd} (kN)	Minimum Connector Centres (mm)	Minimum Slab Edge Distance (mm)	Design Resistance for Bending M_{Rd} (kNm)						
			250mm slab	275mm slab	300mm slab	325mm slab	350mm slab	375mm slab	400mm slab
46.00			18.52	18.52	18.52	18.52	18.52	18.52	18.52
50.00			17.17	17.17	17.17	17.17	17.17	17.17	17.17
55.00	765	385	15.47	15.47	15.47	15.47	15.47	15.47	15.47
57.77			14.52	14.52	14.52	14.52	14.52	14.52	14.52
61.40	800	400	-	13.29	13.29	13.29	13.29	13.29	13.29
65.10	845	420	-	-	12.03	12.03	12.03	12.03	12.03
68.85	875	440	-	-	-	10.76	10.76	10.76	10.76
70.00			-	-	-	-	10.36	10.36	10.36
72.66	915	460	-	-	-	-	9.46	9.46	9.46
75.00			-	-	-	-	-	8.66	8.66
76.53	950	475	-	-	-	-	-	8.14	8.14
80.38	990	495	-	-	-	-	-	-	6.83

SSTC Connector Range (Galvanised Carbon Steel Bracket)

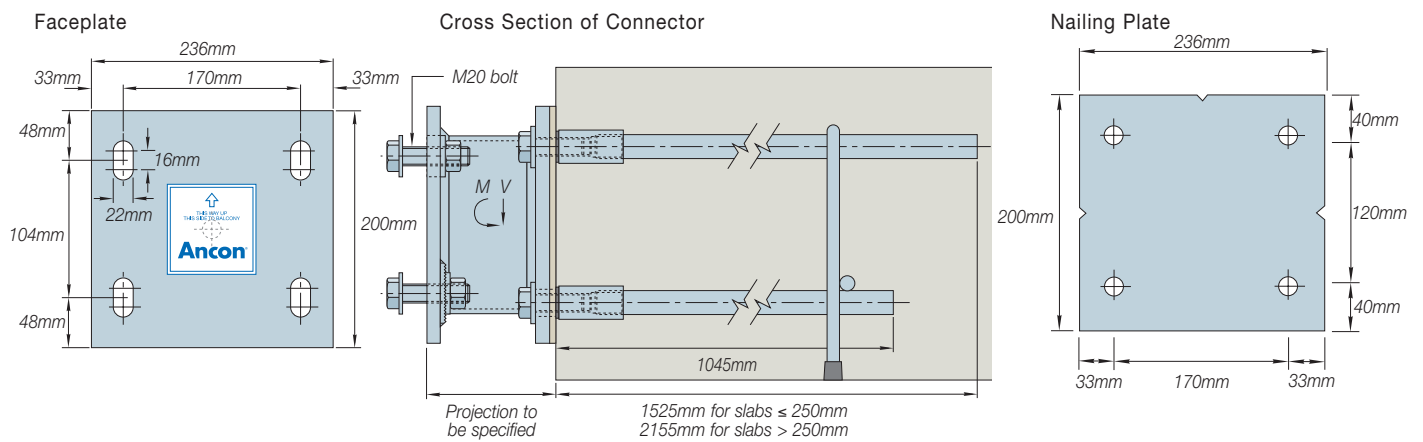
STC16A Range



Product Reference	Width a	Fixing Centres b	Fixing Centres c	Height d	Anchorage Spacing s	Anchorage Spacing t
STC16A-150	184	130	66	150	82	130
STC16A-175	204	150	91	175	107	150
STC16A-200	204	150	116	200	132	150
STC16A-225	204	150	141	225	157	150

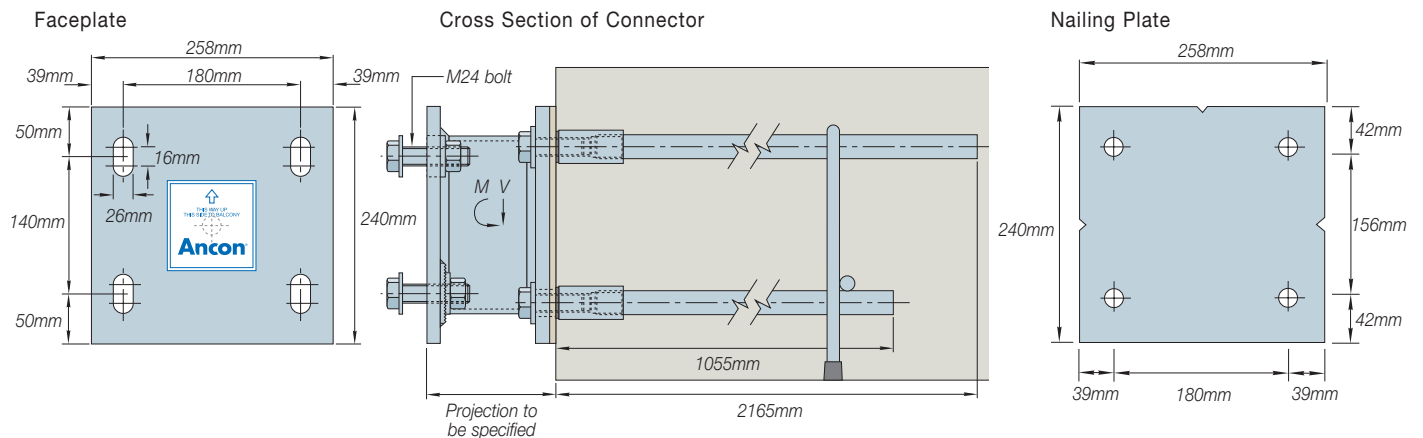
Recommended fixing bolt clearance hole diameter in balcony steelwork is 17mm.

STC20A-200



Recommended fixing bolt clearance hole diameter in balcony steelwork is 22mm.

STC24A-240



Recommended fixing bolt clearance hole diameter in balcony steelwork is 26mm.

M = Moment
 V = Shear

Thermally Insulated Balcony Connectors

STC Design Resistances

The following tables may be used to select the appropriate standard system. They are based on a C32/40 concrete. For other concrete strengths, please contact us.

Leviat's Technical Services Team can advise on STC system design and operate in-house design software to provide recommendations for specific project requirements.

STC16A-150

Design Shear Resistance V_{Rd} (kN)	Minimum Connector Centres (mm)	Minimum Slab Edge Distance (mm)	Design Resistance for Bending M_{Rd} (kNm)						
			175mm slab	200mm slab	225mm slab	250mm slab	275mm slab	300mm slab	325mm slab
36.02	520 Centres	260	13.75	13.75	13.75	13.75	13.75	13.75	13.75
39.21	560 Centres	280	-	13.75	13.75	13.75	13.75	13.75	13.75
41.68	595 Centres	300	-	-	13.75	13.75	13.75	13.75	13.75
42.47		-	-	-	13.61	13.61	13.61	13.61	13.61
45.81	630 Centres	315	-	-	-	13.03	13.03	13.03	13.03
49.21	670 Centres	335	-	-	-	-	12.43	12.43	12.43
50.00	710 Centres	355	-	-	-	-	-	12.30	12.30
52.70		-	-	-	-	-	-	-	11.83
55.00	750 Centres	375	-	-	-	-	-	-	11.42
56.25		-	-	-	-	-	-	-	-

STC16A-175

Design Shear Resistance V_{Rd} (kN)	Minimum Connector Centres (mm)	Minimum Slab Edge Distance (mm)	Design Resistance for Bending M_{Rd} (kNm)						
			200mm slab	225mm slab	250mm slab	275mm slab	300mm slab	325mm slab	350mm slab
42.09	615 Centres	310	18.13	18.13	18.13	18.13	18.13	18.13	18.13
43.91			17.70	17.70	17.70	17.70	17.70	17.70	17.70
45.00	650 Centres	325	-	17.45	17.45	17.45	17.45	17.45	17.45
47.27			-	16.93	16.93	16.93	16.93	16.93	16.93
50.00	690 Centres	345	-	-	16.30	16.30	16.30	16.30	16.30
50.70			-	-	-	16.14	16.14	16.14	16.14
54.20	730 Centres	365	-	-	-	15.33	15.33	15.33	15.33
55.00	615 Centres	385	-	-	-	-	15.14	15.14	15.14
57.77			-	-	-	-	-	14.50	14.50
60.00	800 Centres	400	-	-	-	-	-	13.99	13.99
61.40			-	-	-	-	-	-	-
65.10	840 Centres	420	-	-	-	-	-	-	12.81

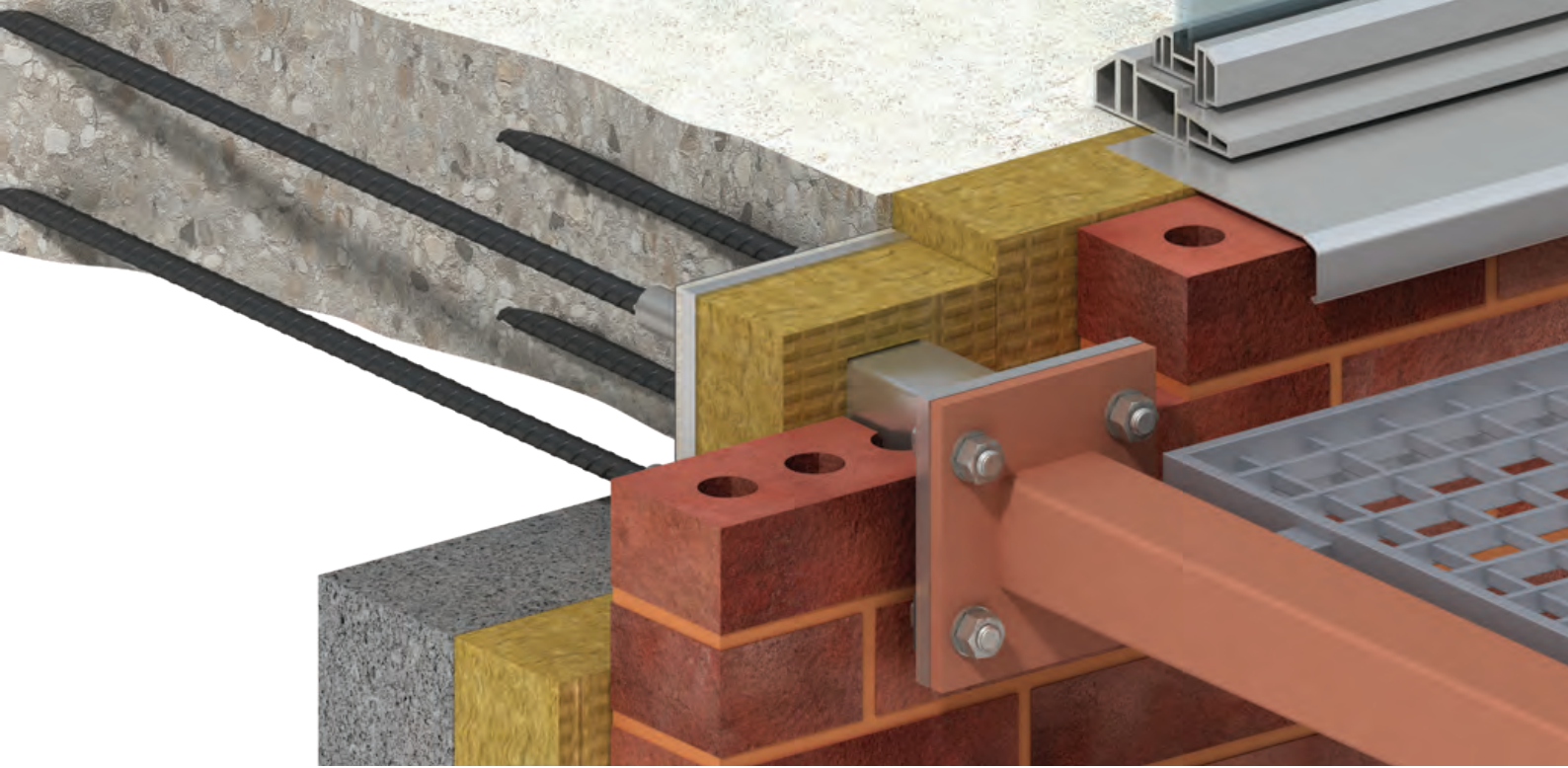
STC16A-200

Design Shear Resistance V_{Rd} (kN)	Minimum Connector Centres (mm)	Minimum Slab Edge Distance (mm)	Design Resistance for Bending M_{Rd} (kNm)						
			225mm slab	250mm slab	275mm slab	300mm slab	325mm slab	350mm slab	375mm slab
41.70	690 Centres	345	20.29	20.29	20.29	20.29	20.29	20.29	20.29
45.00			19.44	19.44	19.44	19.44	19.44	19.44	19.44
50.00			18.15	18.15	18.15	18.15	18.15	18.15	18.15
50.70			17.97	17.97	17.97	17.97	17.97	17.97	17.97
54.20	730 Centres	365	-	17.07	17.07	17.07	17.07	17.07	17.07
55.00	770 Centres	385	-	-	16.86	16.86	16.86	16.86	16.86
57.77			-	-	-	16.15	16.15	16.15	16.15
60.00	800 Centres	400	-	-	-	15.58	15.58	15.58	15.58
61.40			-	-	-	-	15.22	15.22	15.22
65.00	840 Centres	420	-	-	-	-	14.29	14.29	14.29
65.10			-	-	-	-	-	14.27	14.27
68.85	880 Centres	440	-	-	-	-	-	13.30	13.30
70.00	920 Centres	460	-	-	-	-	-	-	13.01
72.67			-	-	-	-	-	-	-

STC16A-225

Design Shear Resistance V_{Rd} (kN)	Minimum Connector Centres (mm)	Minimum Slab Edge Distance (mm)	Design Resistance for Bending M_{Rd} (kNm)						
			250mm slab	275mm slab	300mm slab	325mm slab	350mm slab	375mm slab	400mm slab
41.70	765 Centres	385	22.36	22.36	22.36	22.36	22.36	22.36	22.36
45.00			21.42	21.42	21.42	21.42	21.42	21.42	21.42
50.00			20.00	20.00	20.00	20.00	20.00	20.00	20.00
55.00			18.59	18.59	18.59	18.59	18.59	18.59	18.59
57.77	800 Centres	400	17.82	17.82	17.82	17.82	17.82	17.82	17.82
60.00			-	17.17	17.17	17.17	17.17	17.17	17.17
61.40	-	-	16.77	16.77	16.77	16.77	16.77	16.77	
65.00	845 Centres	425	-	-	15.75	15.75	15.75	15.75	15.75
65.10			-	-	-	-	15.72	15.72	15.72
68.85	875 Centres	440	-	-	-	14.66	14.66	14.66	14.66
70.00	915 Centres	460	-	-	-	-	14.33	14.33	14.33
72.66			-	-	-	-	-	13.58	13.58
75.00	950 Centres	475	-	-	-	-	-	12.92	12.92
76.53			-	-	-	-	-	-	-
80.00	990 Centres	495	-	-	-	-	-	-	11.50
80.46			-	-	-	-	-	-	-

See local reinforcement requirements on pages 8 to 10 and corner details on pages 11 to 13.



STC20A-200

Design Shear Resistance V_{Rd} (kN)	Minimum Connector Centres (mm)	Minimum Slab Edge Distance (mm)	Design Resistance for Bending M_{Rd} (kNm)							
			225mm slab	250mm slab	275mm slab	300mm slab	325mm slab	350mm slab	375mm slab	
53.78	690 Centres	345	32.86	32.86	32.86	32.86	32.86	32.86	32.86	32.86
55.00			32.56	32.56	32.56	32.56	32.56	32.56	32.56	32.56
55.98			32.32	32.32	32.32	32.32	32.32	32.32	32.32	32.32
59.68	730 Centres	365	-	31.41	31.41	31.41	31.41	31.41	31.41	31.41
60.00	770 Centres	385	-	-	31.34	31.34	31.34	31.34	31.34	31.34
63.45			-	-	30.49	30.49	30.49	30.49	30.49	30.49
65.00	800 Centres	400	-	-	-	30.11	30.11	30.11	30.11	30.11
67.27			-	-	-	29.56	29.56	29.56	29.56	29.56
70.00	840 Centres	420	-	-	-	-	28.89	28.89	28.89	28.89
71.18			-	-	-	-	28.60	28.60	28.60	28.60
75.00	880 Centres	440	-	-	-	-	-	27.67	27.67	27.67
75.14			-	-	-	-	-	27.63	27.63	27.63
79.16	920 Centres	460	-	-	-	-	-	-	26.65	26.65

STC24A-240

Design Shear Resistance V_{Rd} (kN)	Minimum Connector Centres (mm)	Minimum Slab Edge Distance (mm)	Design Resistance for Bending M_{Rd} (kNm)							
			275mm slab	300mm slab	325mm slab	350mm slab	375mm slab	400mm slab	425mm slab	
69.85	870 Centres	415	56.31	56.31	56.31	56.31	56.31	56.31	56.31	56.31
70.00	830 Centres	435	-	56.29	56.29	56.29	56.29	56.29	56.29	56.29
73.79			-	55.60	55.60	55.60	55.60	55.60	55.60	55.60
75.00	910 Centres	455	-	-	55.37	55.37	55.37	55.37	55.37	55.37
77.78			-	-	54.82	54.82	54.82	54.82	54.82	54.82
80.00	940 Centres	470	-	-	-	54.37	54.37	54.37	54.37	54.37
81.84			-	-	-	53.98	53.98	53.98	53.98	53.98
85.00	980 Centres	490	-	-	-	-	53.28	53.28	53.28	53.28
85.95			-	-	-	-	53.07	53.07	53.07	53.07
90.00	1020 Centres	510	-	-	-	-	-	52.11	52.11	52.11
90.12			-	-	-	-	-	52.08	52.08	52.08
94.35	1060 Centres	530	-	-	-	-	-	-	51.01	51.01

Design Example

Known requirements:

The Factored Ultimate Shear Force per connector, V_{Ed} , is 50kN.
 The Factored Ultimate Moment per connector, M_{Ed} , is 18kNm.
 The slab thickness is 275mm and the concrete grade is C32/40
 The connector spacing is 750mm

From the tables:

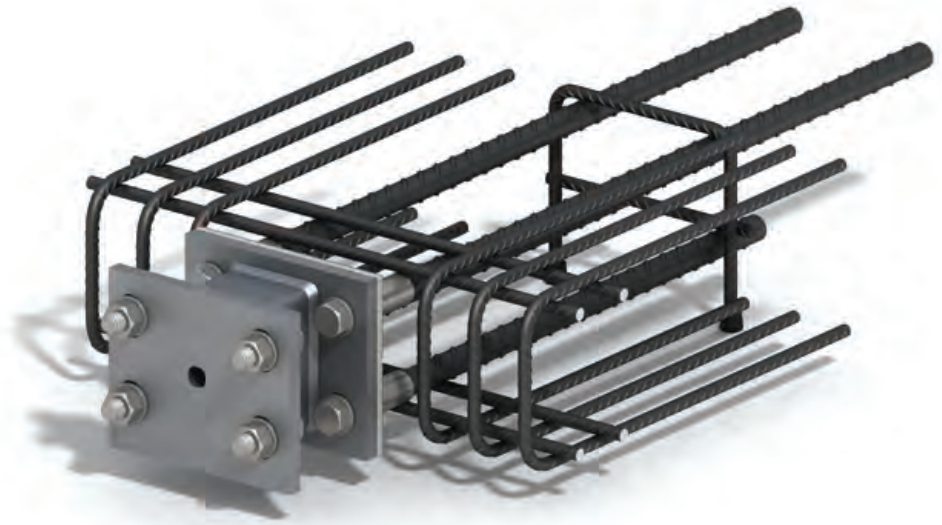
- ✗ STC16A-150 does not give the required capacities in a 275mm thick slab
- ✗ STC16A-175 gives $V_{Rd} = 50$ kN and $M_{Rd} = 16.30$ kNm, so does not give the required capacity
- ✓ STC16A-200 gives $V_{Rd} = 50$ kN, $M_{Rd} = 18.15$ kNm and minimum connector centres < 750mm
- ✗ STC16A-225 gives $V_{Rd} = 50$ kN and $M_{Rd} = 20.00$ kNm and minimum connector centres > 750mm

See local reinforcement requirements on pages 8 to 10 and corner details on pages 11 to 13.

Thermally Insulated Balcony Connectors

Local Reinforcement

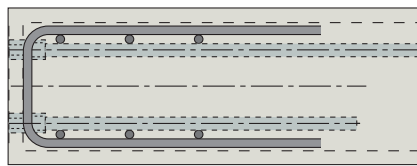
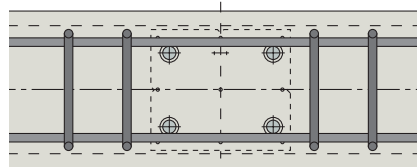
Additional reinforcement, local to each SSTC or STC connector, is required to guarantee that the forces are transferred between the connector and the concrete. Correct detailing in accordance with appropriate design codes and the recommendations provided here will ensure Ancon SSTC or STC connectors attain their full capacity. The tables show proposals for the type and spacing of U-Bars each side of the connector together with details of reinforcement above and below the connectors.



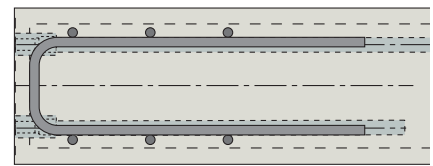
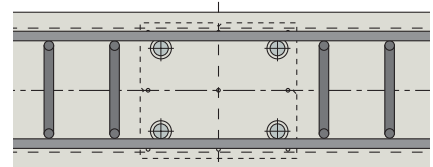
Minimum Slab Depths for a Straight Run

Connector Reference	Minimum Slab Depth (mm)	
	Type 1 Reinforcement	Type 2 Reinforcement
SSTC/STC16A-150	200	175
SSTC/STC16A-175	225	200
SSTC/STC16A-200	250	225
SSTC/STC16A-225	275	250
STC20A-200	250	225
STC24A-240	300	275

Type 1



Type 2



Notes:

Tables on pages 9 - 10 based on the following assumptions;

Grade C32/40 Concrete

Connectors assumed to be at mid depth of slab.

The maximum moment for each connector type is assumed.

Reinforcement is based on a minimum concrete cover of 25mm

Mandrel diameter for the U bars is assumed to conform to the figures given in Table 8.1N of BS EN 1992-1-1:2004

It is assumed that the U bars and the longitudinal bars are of the same diameter.

Length of longitudinal bars should be a minimum of the connector spacing + a lap length, determined in accordance with BS EN 1992-1

Spacing of U-Bar Reinforcement

Values given in adjacent table assume:-

Cover, $c_{nom} = 25\text{mm}$

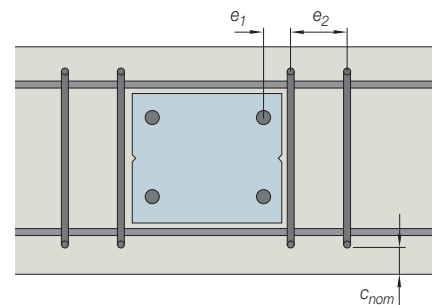
Concrete grade C32/40

Reinforcement diameter 12mm (u-bar and longitudinal bars)

Reinforcement arrangement type 1

U-Bar Spacing

	e_1 (mm)	e_2 (mm)
SSTC/STC16A-150	60	80
SSTC/STC16A-175	60	85
SSTC/STC16A-200	50	85
SSTC/STC16A-225	50	85
STC20A-200	50	70
STC24A-240	50	70



U-Bars

SSTC/STC16A-150

U-Bar requirements for different diameter bars

Slab Depth (mm)	H10 Bars			H12 Bars			H16 Bars		
	Number of U-Bars Each Side of Connector	Min U-Bar Leg Length (mm)	Reinforcement Configuration	Number of U-Bars Each Side of Connector	Min U-Bar Leg Length (mm)	Reinforcement Configuration	Number of U-Bars Each Side of Connector	Min U-Bar Leg Length (mm)	Reinforcement Configuration
175	2	615	Type 2	2	705	Type 2	1	875	Type 2
200	2	700	Type 1	2	770	Type 1	1	930	Type 2
225	2	745	Type 1	2	825	Type 1	1	985	Type 1
250	2	920	Type 1	2	1030	Type 1	1	1260	Type 1
275	2	975	Type 1	2	1085	Type 1	1	1305	Type 1
300	2	1020	Type 1	2	1130	Type 1	1	1360	Type 1
325	2	1075	Type 1	2	1185	Type 1	1	1405	Type 1

SSTC/STC16A-175

U-Bar requirements for different diameter bars

Slab Depth (mm)	H10 Bars			H12 Bars			H16 Bars		
	Number of U-Bars Each Side of Connector	Min U-Bar Leg Length (mm)	Reinforcement Configuration	Number of U-Bars Each Side of Connector	Min U-Bar Leg Length (mm)	Reinforcement Configuration	Number of U-Bars Each Side of Connector	Min U-Bar Leg Length (mm)	Reinforcement Configuration
200	2	660	Type 2	2	760	Type 2	1	930	Type 2
225	2	745	Type 1	2	825	Type 1	1	975	Type 2
250	2	920	Type 1	2	1030	Type 1	1	1260	Type 1
275	2	975	Type 1	2	1085	Type 1	1	1305	Type 1
300	2	1020	Type 1	2	1130	Type 1	1	1360	Type 1
325	2	1075	Type 1	2	1185	Type 1	1	1405	Type 1
350	2	1120	Type 1	2	1230	Type 1	1	1460	Type 1

SSTC/STC16A-200

U-Bar requirements for different diameter bars

Slab Depth (mm)	H10 Bars			H12 Bars			H16 Bars		
	Number of U-Bars Each Side of Connector	Min U-Bar Leg Length (mm)	Reinforcement Configuration	Number of U-Bars Each Side of Connector	Min U-Bar Leg Length (mm)	Reinforcement Configuration	Number of U-Bars Each Side of Connector	Min U-Bar Leg Length (mm)	Reinforcement Configuration
225	2	715	Type 2	2	805	Type 2	1	975	Type 2
250	2	920	Type 1	2	1030	Type 1	1	1250	Type 2
275	2	975	Type 1	2	1085	Type 1	1	1305	Type 1
300	2	1020	Type 1	2	1130	Type 1	1	1360	Type 1
325	2	1075	Type 1	2	1185	Type 1	1	1405	Type 1
350	2	1120	Type 1	2	1230	Type 1	1	1460	Type 1
375	2	1175	Type 1	2	1285	Type 1	1	1505	Type 1

SSTC/STC16A-225

U-Bar requirements for different diameter bars

Slab Depth (mm)	H10 Bars			H12 Bars			H16 Bars		
	Number of U-Bars Each Side of Connector	Min U-Bar Leg Length (mm)	Reinforcement Configuration	Number of U-Bars Each Side of Connector	Min U-Bar Leg Length (mm)	Reinforcement Configuration	Number of U-Bars Each Side of Connector	Min U-Bar Leg Length (mm)	Reinforcement Configuration
250	2	870	Type 2	2	1000	Type 2	1	1250	Type 2
275	2	975	Type 1	2	1085	Type 1	1	1305	Type 2
300	2	1020	Type 1	2	1130	Type 1	1	1360	Type 1
325	2	1075	Type 1	2	1185	Type 1	1	1405	Type 1
350	2	1120	Type 1	2	1230	Type 1	1	1460	Type 1
375	2	1175	Type 1	2	1285	Type 1	1	1505	Type 1
400	2	1220	Type 1	2	1330	Type 1	1	1560	Type 1

STC20A-200

U-Bar requirements for different diameter bars

Slab Depth (mm)	H10 Bars			H12 Bars			H16 Bars		
	Number of U-Bars Each Side of Connector	Min U-Bar Leg Length (mm)	Reinforcement Configuration	Number of U-Bars Each Side of Connector	Min U-Bar Leg Length (mm)	Reinforcement Configuration	Number of U-Bars Each Side of Connector	Min U-Bar Leg Length (mm)	Reinforcement Configuration
225	3	715	Type 2	2	805	Type 2	2	975	Type 2
250	3	920	Type 1	2	1030	Type 1	2	1250	Type 2
275	3	975	Type 1	2	1085	Type 1	2	1305	Type 2
300	3	1020	Type 1	2	1130	Type 1	1	1360	Type 1
325	3	1075	Type 1	2	1185	Type 1	1	1405	Type 1
350	3	1120	Type 1	2	1230	Type 1	1	1460	Type 1
375	3	1175	Type 1	2	1285	Type 1	1	1505	Type 1

STC24A-240

U-Bar requirements for different diameter bars

Slab Depth (mm)	H10 Bars			H12 Bars			H16 Bars		
	Number of U-Bars Each Side of Connector	Min U-Bar Leg Length (mm)	Reinforcement Configuration	Number of U-Bars Each Side of Connector	Min U-Bar Leg Length (mm)	Reinforcement Configuration	Number of U-Bars Each Side of Connector	Min U-Bar Leg Length (mm)	Reinforcement Configuration
275	3	970	Type 2	2	970	Type 2	2	1230	Type 2
300	3	1020	Type 1	2	1130	Type 1	2	1360	Type 2
325	3	1070	Type 1	2	1180	Type 1	2	1410	Type 1
350	3	1120	Type 1	2	1230	Type 1	2	1460	Type 1
375	3	1170	Type 1	2	1280	Type 1	2	1510	Type 1
400	3	1220	Type 1	2	1330	Type 1	2	1560	Type 1
425	3	1280	Type 1	2	1380	Type 1	2	1610	Type 1

Thermally Insulated Balcony Connectors

Longitudinal bars

SSTC/STC16A-150

Number of Longitudinal bars required in the top and bottom of the slab, for various connector centres

Slab Depth (mm)	H10 Bars						H12 Bars						H16 Bars
	600 mm	800 mm	1000 mm	1200 mm	1500 mm	2000 mm	600 mm	800 mm	1000 mm	1200 mm	1500 mm	2000 mm	600 - 2000 mm
175	2	2	2	2	2	2	2	2	2	2	2	2	2
200	2	2	2	2	2	2	2	2	2	2	2	2	2
225	2	2	2	2	2	2	2	2	2	2	2	2	2
250	2	2	2	2	2	2	2	2	2	2	2	2	2
275	2	2	2	2	2	2	2	2	2	2	2	2	2
300	2	2	2	3	3	3	2	2	2	2	2	2	2
325	3	3	3	3	3	3	2	2	2	2	2	2	2

SSTC/STC16A-175

Number of Longitudinal bars required in the top and bottom of the slab, for various connector centres

Slab Depth (mm)	H10 Bars						H12 Bars						H16 Bars
	600 mm	800 mm	1000 mm	1200 mm	1500 mm	2000 mm	600 mm	800 mm	1000 mm	1200 mm	1500 mm	2000 mm	600 - 2000 mm
200	2	2	2	2	2	2	2	2	2	2	2	2	2
225	2	2	2	2	2	2	2	2	2	2	2	2	2
250	2	2	2	2	2	2	2	2	2	2	2	2	2
275	2	2	2	2	2	2	2	2	2	2	2	2	2
300	2	2	2	2	2	2	2	2	2	2	2	2	2
325	3	3	3	3	3	3	2	2	2	2	2	2	2
350	3	3	3	3	3	3	2	2	2	2	2	3	2

SSTC/STC16A-200

Number of Longitudinal bars required in the top and bottom of the slab, for various connector centres

Slab Depth (mm)	H10 Bars						H12 Bars						H16 Bars
	600 mm	800 mm	1000 mm	1200 mm	1500 mm	2000 mm	600 mm	800 mm	1000 mm	1200 mm	1500 mm	2000 mm	600 - 2000 mm
225	2	2	2	2	2	2	2	2	2	2	2	2	2
250	2	2	2	2	2	2	2	2	2	2	2	2	2
275	2	2	2	2	2	2	2	2	2	2	2	2	2
300	2	2	2	3	3	3	2	2	2	2	2	2	2
325	3	3	3	3	3	3	2	2	2	2	2	2	2
350	3	3	3	3	3	3	2	2	2	2	2	3	2
375	3	3	3	3	3	3	2	3	3	3	3	3	2

SSTC/STC16A-225

Number of Longitudinal bars required in the top and bottom of the slab, for various connector centres

Slab Depth (mm)	H10 Bars						H12 Bars						H16 Bars
	600 mm	800 mm	1000 mm	1200 mm	1500 mm	2000 mm	600 mm	800 mm	1000 mm	1200 mm	1500 mm	2000 mm	600 - 2000 mm
250	2	2	2	2	2	2	2	2	2	2	2	2	2
275	2	2	2	2	2	2	2	2	2	2	2	2	2
300	2	2	2	3	3	3	2	2	2	2	2	2	2
325	3	3	3	3	3	3	2	2	2	2	2	2	2
350	3	3	3	3	3	4	2	2	2	2	2	3	2
375	3	3	4	4	4	4	2	3	3	3	3	3	2
400	4	4	4	4	4	4	3	3	3	3	3	3	2

STC20A-200

Number of Longitudinal bars required in the top and bottom of the slab, for various connector centres

Slab Depth (mm)	H10 Bars						H12 Bars						H16 Bars
	600 mm	800 mm	1000 mm	1200 mm	1500 mm	2000 mm	600 mm	800 mm	1000 mm	1200 mm	1500 mm	2000 mm	600 - 2000 mm
225	2	2	2	2	2	2	2	2	2	2	2	2	2
250	2	2	2	2	2	2	2	2	2	2	2	2	2
275	2	2	2	2	2	2	2	2	2	2	2	2	2
300	2	2	2	2	3	3	2	2	2	2	2	2	2
325	3	3	3	3	3	3	2	2	2	2	2	2	2
350	3	3	3	3	3	4	2	2	2	2	2	3	2
375	3	3	3	4	4	4	2	2	3	3	3	3	2

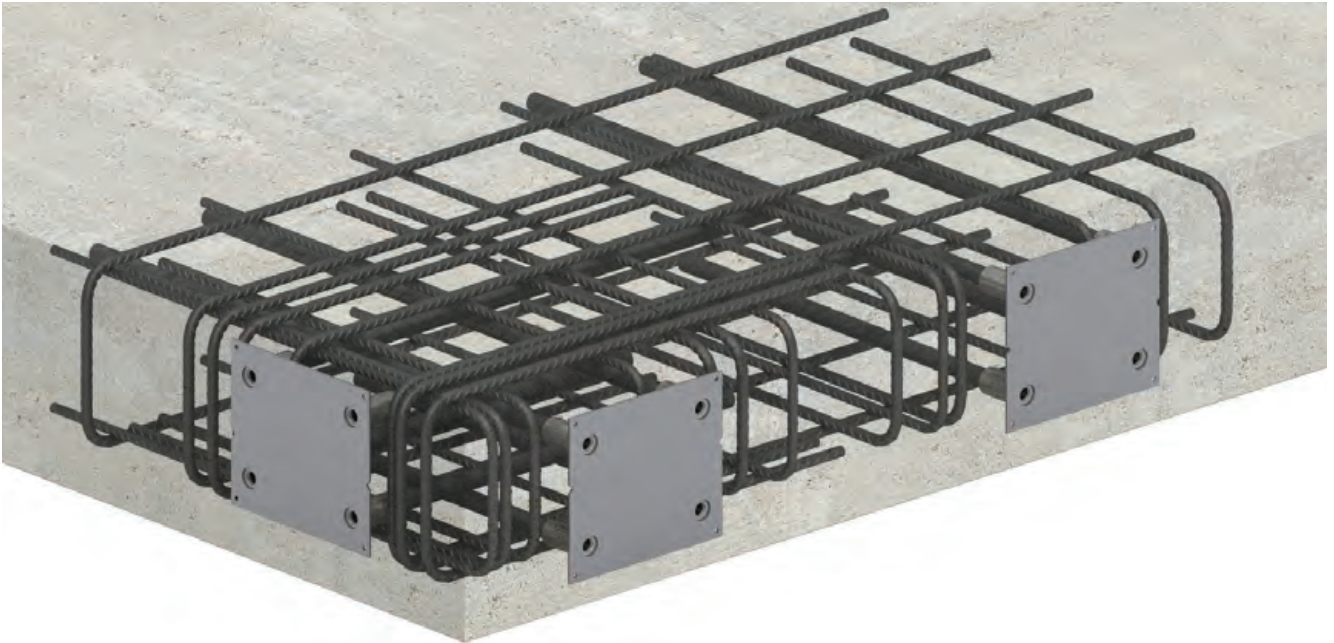
STC24A-240

Number of Longitudinal bars required in the top and bottom of the slab, for various connector centres

Slab Depth (mm)	H10 Bars						H12 Bars						H16 Bars
	600 mm	800 mm	1000 mm	1200 mm	1500 mm	2000 mm	600 mm	800 mm	1000 mm	1200 mm	1500 mm	2000 mm	600 - 2000 mm
275	2	2	2	2	2	2	2	2	2	2	2	2	2
300	2	2	2	2	3	3	2	2	2	2	2	2	2
325	3	3	3	3	3	3	2	2	2	2	2	2	2
350	3	3	3	3	3	4	2	2	2	2	2	3	2
375	3	3	3	4	4	4	2	2	3	3	3	3	2
400	4	4	4	4	4	4	3	3	3	3	3	3	2
425	4	4	4	4	4	4	3	3	3	3	3	3	2

Corner Details

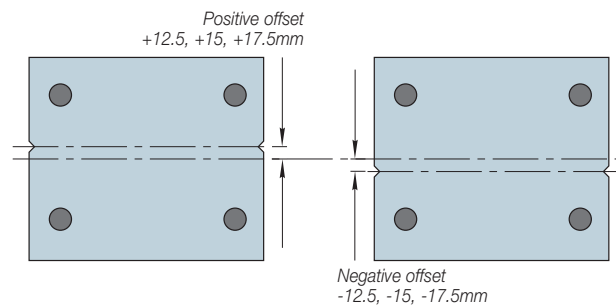
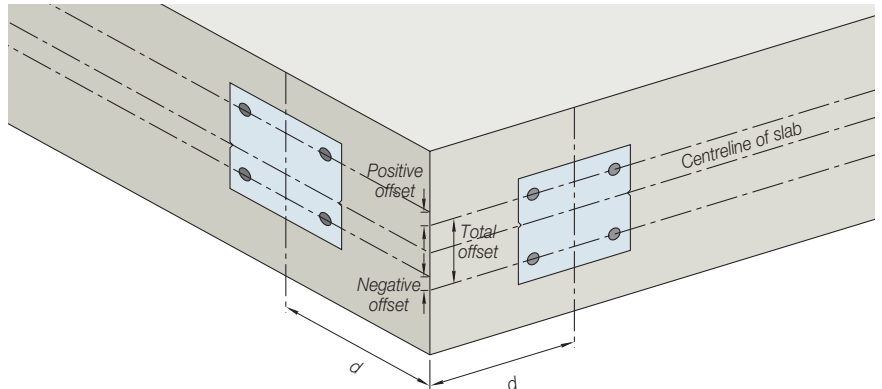
Standard SSTC/STC corner units are available which offset the position of the anchor bars on adjacent connectors to eliminate a reinforcement clash.



The corresponding bracket assemblies feature an extended fixing plate on one side to bring the balcony fixing position back in line with the standard SSTC/STC connectors used in the rest of the slab.

Due to the offset, the minimum slab depth for these corner units is deeper than that for a straight run and is given in the table. The offset also affects the unit performance. The ten graphs on pages 12 and 13 show the moment and shear resistance for each SSTC/STC corner unit in relation to the distance from the corner and also when the loads become the same as for the standard connector.

The side notches in an SSTC/STC nailplate are used to indicate the fixing line, normally the centreline of the slab. On SSTC/STC corner units, these notches are offset to create the difference in fixing height at the corner.



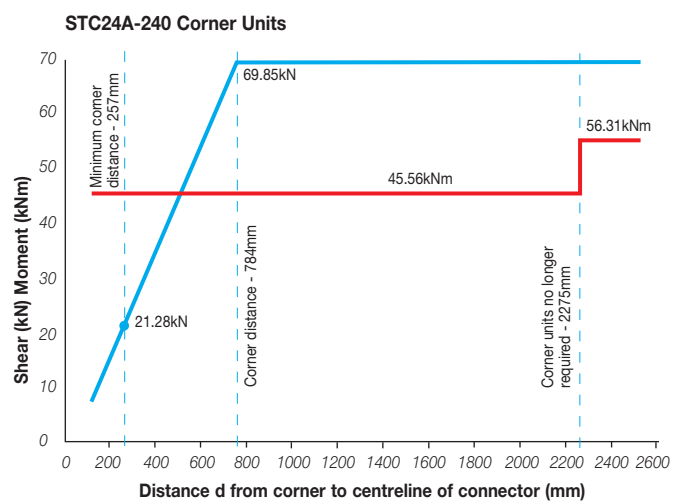
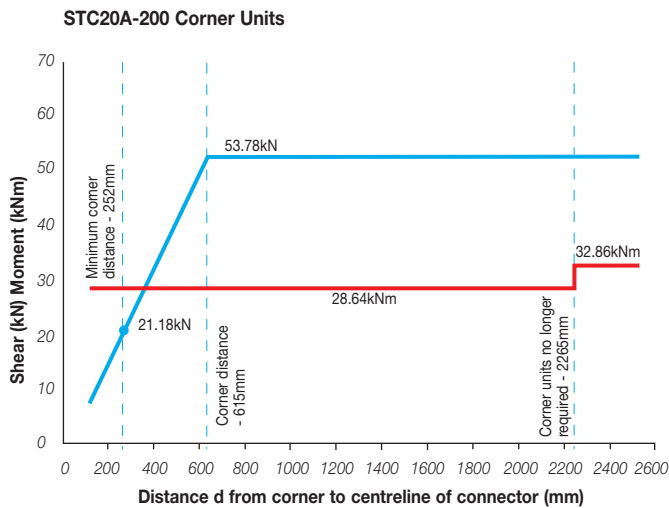
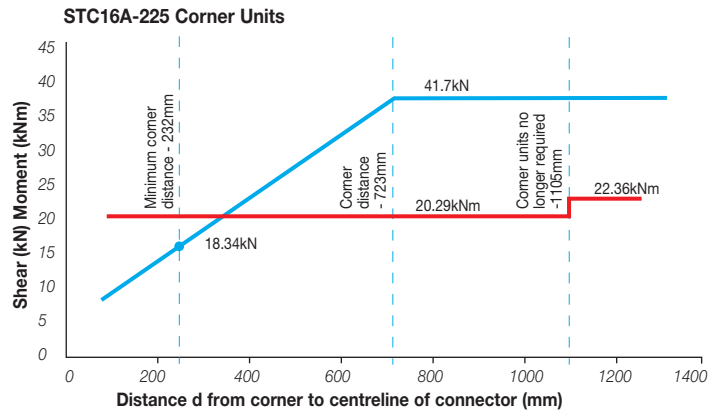
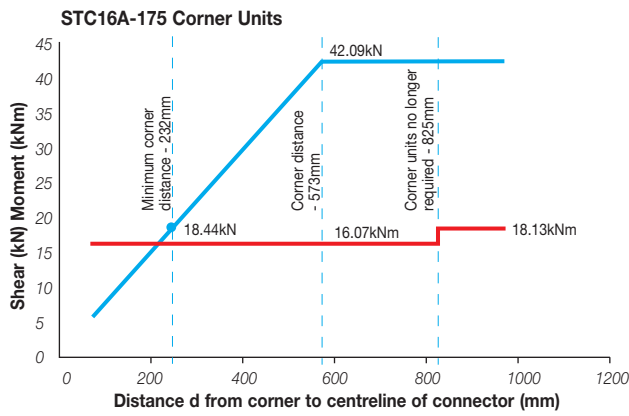
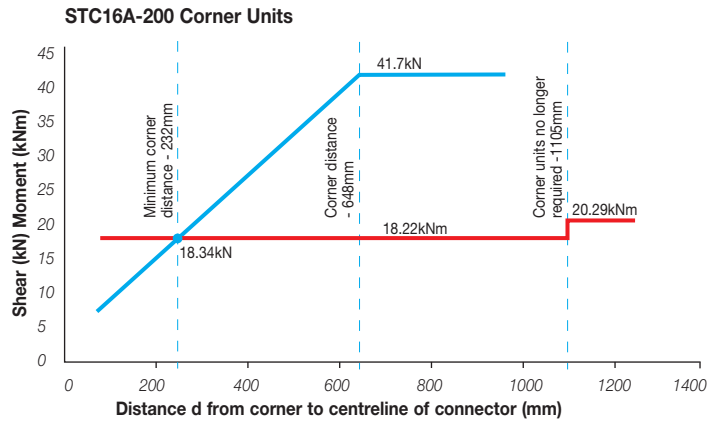
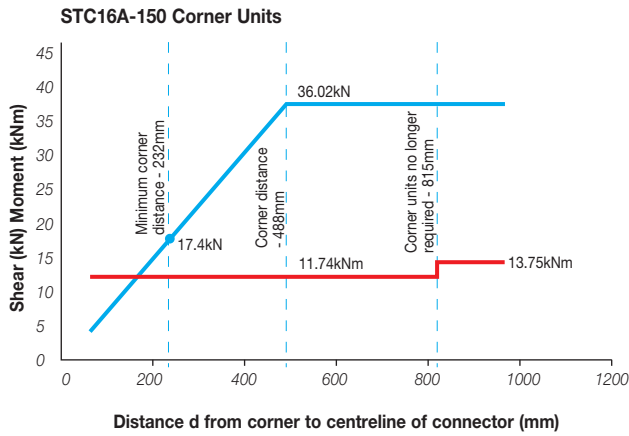
Minimum Slab Depths at Corners

Connector Reference	Minimum Slab Depth (mm)
SSTC/STC16A-150	225
SSTC/STC16A-175	250
SSTC/STC16A-200	275
SSTC/STC16A-225	300
STC20A-200	275
STC24A-240	325

Corner Unit Offsets

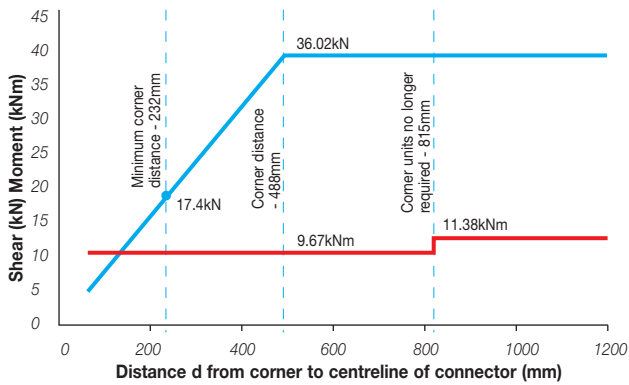
Connector	Offset per Corner Connector (mm)	Total System Offset (mm)
SSTC/STC16A	+/- 12.5	25
STC20A	+/- 15.0	30
STC24A	+/- 17.5	35

Thermally Insulated Balcony Connectors

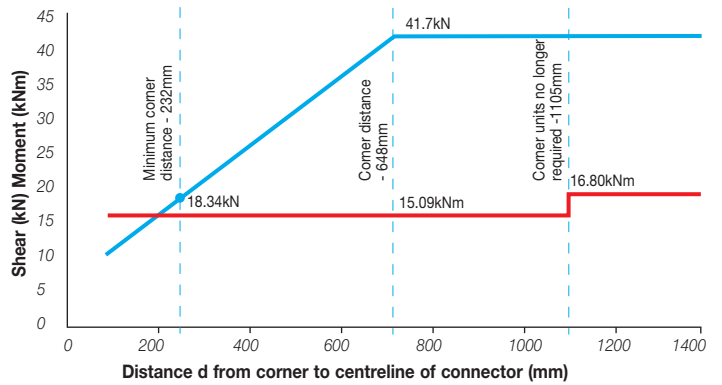


— Min V_{Rd} (kN)
 — Max M_{Rd} (kNm)

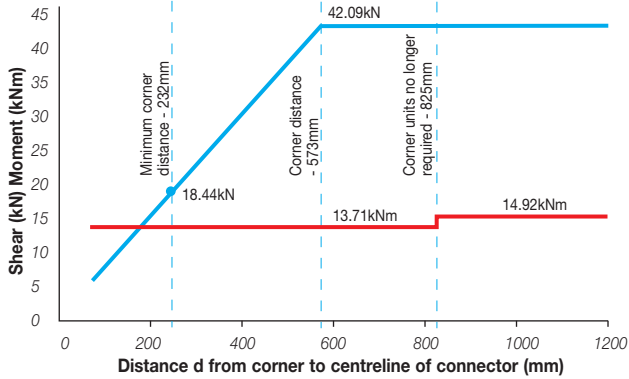
SSTC16A-150 Corner Units



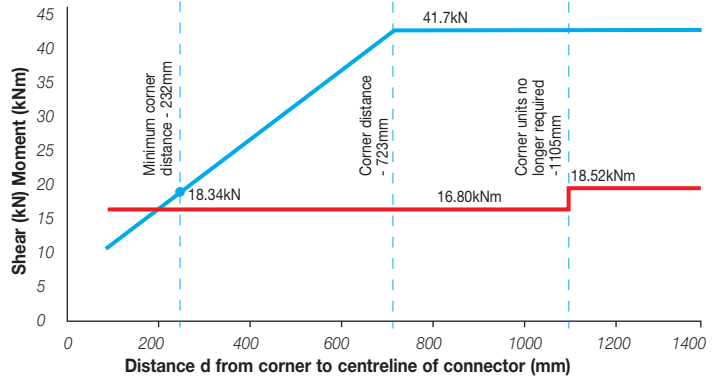
SSTC16A-200 Corner Units



SSTC16A-175 Corner Units



SSTC16A-225 Corner Units



— Min V_{Rd} (kN)
— Max M_{Rd} (kNm)

Fire Resistance Considerations

Should fire resistance be a requirement of the project, the balcony bracket and fixings must be adequately protected: this should be in the form of a site-applied intumescent coating or by fire board encapsulation. A fire protection specialist should be consulted for advice.

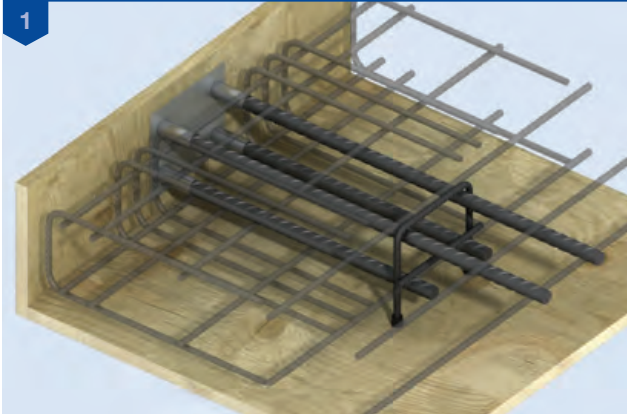
Thermally Insulated Balcony Connectors

Installation

Ancon SSTC/STC balcony connectors are quick and easy to install. Installation is a two phase process.

The SSTC/STC system consists of two components; a cast-in anchorage and a fabricated bracket with thermal plate.

Cast-in Anchorage



Nail the assembly to the formwork. The end of the reinforcement cage should be supported on spacers or tied to adjacent slab reinforcement. Fix secondary reinforcement (consult technical literature and project drawings for details) and cast concrete. Allow to cure and strike formwork.

Bracket/Thermal Plate Section



Remove and discard plastic plugs from couplers and nylon nuts from bracket. Offer up thermal plate and then the fabricated bracket. Labels on the connector identify the balcony and concrete slab side, as well as the orientation of the connector. Install the four stainless steel setscrews and washers, and hand tighten.

Tighten to the correct torque using a calibrated hydraulic torque wrench according to the reference table below. The thermal plate is now sandwiched between the bracket and the concrete.

Connector	Stainless Steel Setscrew	Tightening Torque
SSTC/STC16A	M16, Length 40mm	170Nm
STC20A	M20, Length 50mm	305Nm
STC24A	M24, Length 60mm	530Nm

Balcony



Offer up the steel balcony and connect to the SSTC/STC bracket with the four galvanised hex head setscrews as follows:

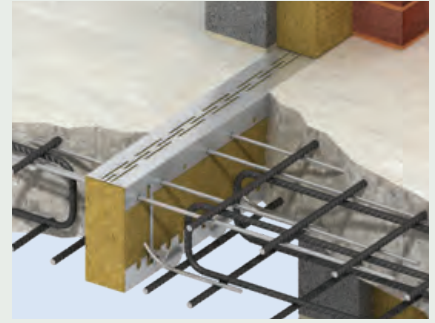
- The top bolts should have the two galvanised square plate washers over the plain slots in the SSTC/STC connector
- The bottom bolts should have the two galvanised serrated washers over the serrated slots in the SSTC/STC connector, orientated to mate and not turned at an angle or installed using the plain side
- Four galvanised washers are provided for the balcony side of the connection, however if the balcony is slotted a plate washer should be used
- The balcony should be levelled vertically using the adjustment provided by the vertical slots in the connector
- In order to guarantee adequate positioning of the balcony steelwork, care must be taken to ensure that the concrete face is vertically level. Should the concrete face be out of plumb, full face tapered shims should be used between the bracket and thermal plate for angular adjustment. We can advise on this if necessary
- Adjustment should not be made between the connector and the thermal break or between the thermal break and the concrete slab edge
- Hand tighten the four connection bolts and then using a calibrated hydraulic torque wrench and referencing the table below

Connector	Galvanised Hex Head Setscrew	Tightening Torque
SSTC/STC16A	M16, Length 60mm	170Nm
STC20A	M20, Length 75mm	325Nm
STC24A	M24, Length 90mm	565Nm

Other Ancon Products

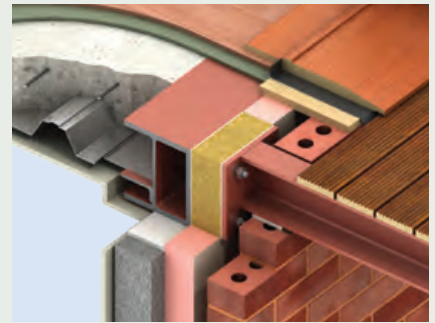
Concrete-to-Concrete Balcony Connectors

Ancon Isotec is a class A1 non-combustible and fire resistant, high performance thermal break system for concrete-to-concrete applications. Each unit is manufactured as a non-deformable cage offering high rigidity and dimensional stability. The insulation component comprises mineral wool that offers inherent fire-resistant qualities. All reinforcement and metal components are manufactured from stainless steel which offers improvements in both thermal efficiency and corrosion resistance over carbon steel systems. An additional benefit is the use of short compression studs instead of compression bars which offers greater concrete design flexibility and simplifies installation.



Steel-to-Steel Balcony Connectors

The Ancon STS range is a compact thermal break, typically used for connecting steel balconies to structural steel frames but is equally suitable for other steel-to-steel applications. The connectors are formed exclusively from materials of European Classification A1 and A2-s1,d0 which are fully compliant with the combustibility requirements of the Building (Amendment) Regulation 2018 – the Government’s ban on combustible materials in high-rise construction. The CE-marked fabricated compression component can be manufactured in either stainless steel (SSTC) or hot dipped galvanised steel (STC). Thermal modelling of a typical application showed a reduction in heat loss of almost 50% compared to a direct steel connection.



Low Thermal Conductivity Wall Ties

Wall Ties are an essential element in the strength and stability of a cavity wall, however, by crossing the insulated cavity they act as a thermal bridge between the internal and external leaves. Levia manufactures a range of low thermal conductivity Ancon wall ties to minimise the effects of thermal bridging. The Ancon range offers reduced heat transmittance whilst continuing to meet the structural performance requirements of multi-storey and wide cavity construction. Products include slender Ancon Staifix stainless steel wire ties and BBA-approved Ancon Teplo wall ties manufactured from basalt fibres with a thermal conductivity of just 0.7WmK.



Masonry Support Systems

Masonry cladding on concrete or steel frames is normally supported from stainless steel support systems. The standard AnconOptima system and the bespoke Ancon MDC System create a continuous angle to support the outer leaf of masonry. Solutions are available to support special masonry features such as curves, arches and soffits. Ancon support brackets can be supplied with a fire-rated thermal break to minimise heat loss through cold bridging at the interface with the structure. The standard thermal break is shaped like a keyhole shim to allow it to be located quickly on site.



Tension Systems

Tie bars are increasingly being used in structures and buildings as an architectural as well as a structural element. Ancon Tension Systems comprise a range of components which can be supplied in carbon steel or stainless steel in a variety of sizes and finishes. A variety of assemblies can be created from simple tie bars to complex bracing systems involving several bars joined at one point.



For BIM objects of the above products visit www.ancon.co.uk
or www.NationalBIMLibrary.com/Ancon



Leviat[®]
A CRH COMPANY

Innovative engineered products and construction solutions that allow the industry to build safer, stronger and faster.



Worldwide contacts for Leviat:

Australia

Leviat
98 Kurrajong Avenue,
Mount Druitt Sydney, NSW 2770
Tel: +61 - 2 8808 3100
Email: info.au@leviat.com

Austria

Leviat
Leonard-Bernstein-Str. 10
Saturn Tower, 1220 Wien
Tel: +43 - 1 - 259 6770
Email: info.at@leviat.com

Belgium

Leviat
Borkelstraat 131
2900 Schoten
Tel: +32 - 3 - 658 07 20
Email: info.be@leviat.com

China

Leviat
Room 601 Tower D, Vantone Centre
No. A6 Chao Yang Men Wai Street
Chaoyang District
Beijing · P.R. China 100020
Tel: +86 - 10 5907 3200
Email: info.cn@leviat.com

Czech Republic

Leviat
Business Center Šafránková
Šafránková 1238/1
155 00 Praha 5
Tel: +420 - 311 - 690 060
Email: info.cz@leviat.com

Finland

Leviat
Vädursgatan 5
412 50 Göteborg / Sweden
Tel: +358 (0)10 6338781
Email: info.fi@leviat.com

France

Leviat
6, Rue de Cabanis
FR 31240 L'Union
Toulouse
Tel: +33 - 5 - 34 25 54 82
Email: info.fr@leviat.com

Germany

Leviat
Liebigstrasse 14
40764 Langenfeld
Tel: +49 - 2173 - 970 - 0
Email: info.de@leviat.com

India

Leviat
309, 3rd Floor, Orion Business Park
Ghodbunder Road, Kapurbawdi,
Thane West, Thane,
Maharashtra 400607
Tel: +91 - 22 2589 2032
Email: info.in@leviat.com

Italy

Leviat
Via F.lli Bronzetti 28
24124 Bergamo
Tel: +39 - 035 - 0760711
Email: info.it@leviat.com

Malaysia

Leviat
28 Jalan Anggerik Mokara 31/59
Kota Kemuning, 40460 Shah Alam
Selangor
Tel: +603 - 5122 4182
Email: info.my@leviat.com

Netherlands

Leviat
Oostermaat 3
7623 CS Borne
Tel: +31 - 74 - 267 14 49
Email: info.nl@leviat.com

New Zealand

Leviat
2/19 Nuttall Drive, Hillsborough,
Christchurch 8022
Tel: +64 - 3 376 5205
Email: info.nz@leviat.com

Norway

Leviat
Vestre Svanholmen 5
4313 Sandnes
Tel: +47 - 51 82 34 00
Email: info.no@leviat.com

Philippines

Leviat
2933 Regus, Joy Nostalg,
ADB Avenue
Ortigas Center
Pasig City
Tel: +63 - 2 7957 6381
Email: info.ph@leviat.com

Poland

Leviat
Ul. Obornicka 287
60-691 Poznan
Tel: +48 - 61 - 622 14 14
Email: info.pl@leviat.com

Singapore

Leviat
14 Benoi Crescent
Singapore 629977
Tel: +65 - 6266 6802
Email: info.sg@leviat.com

Spain

Leviat
Poligono Industrial Santa Ana
c/ Ignacio Zuloaga, 20
28522 Rivas-Vaciamadrid
Tel: +34 - 91 632 18 40
Email: info.es@leviat.com

Sweden

Leviat
Vädursgatan 5
Grenzstrasse 24
Tel: +46 - 31 - 98 58 00
Email: info.se@leviat.com

Switzerland

Leviat
Hertistrasse 25
3250 Lyss
Tel: +41 - 31 750 3030
Email: info.ch@leviat.com

United Kingdom

Leviat
President Way, President Park,
Sheffield, S4 7UR
Tel: +44 - 114 275 5224
Email: info.uk@leviat.com

United States of America

Leviat
6467 S Falkenburg Rd.
Riverview, FL 33578
Tel: (800) 423-9140
Email: info.us@leviat.us

For countries not listed

Email: info@leviat.com

Leviat.com

Notes regarding this catalogue

© Protected by copyright. The construction applications and details provided in this publication are indicative only. In every case, project working details should be entrusted to appropriately qualified and experienced persons. Whilst every care has been exercised in the preparation of this publication to ensure that any advice, recommendations or information is accurate, no liability or responsibility of any kind is accepted by Leviat for inaccuracies or printing errors. Technical and design changes are reserved. With a policy of continuous product development, Leviat reserves the right to modify product design and specification at any time.



For more information on these products, contact:

Leviat

President Way
President Park
Sheffield, S4 7UR
United Kingdom

Tel: +44 (0) 114 275 5224

Fax: +44 (0) 114 276 8543

Email: info.ancon.uk@leviat.com

For sales enquiries:

Email: sales.ancon.uk@leviat.com

For technical enquiries:

Email: tech.ancon.uk@leviat.com

www.ancon.co.uk

www.leviat.com

Imagine. Model. Make.

Leviat.com