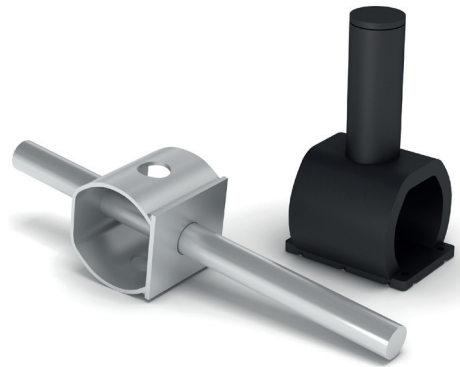


Ancon[®]

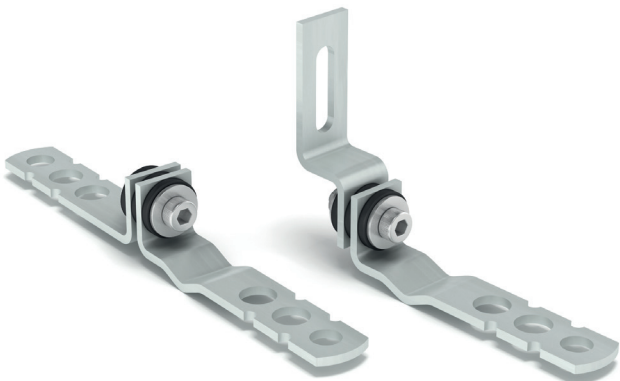
BUILDING PRODUCTS


ecobuild

NEW Acoustic Shear Dowels

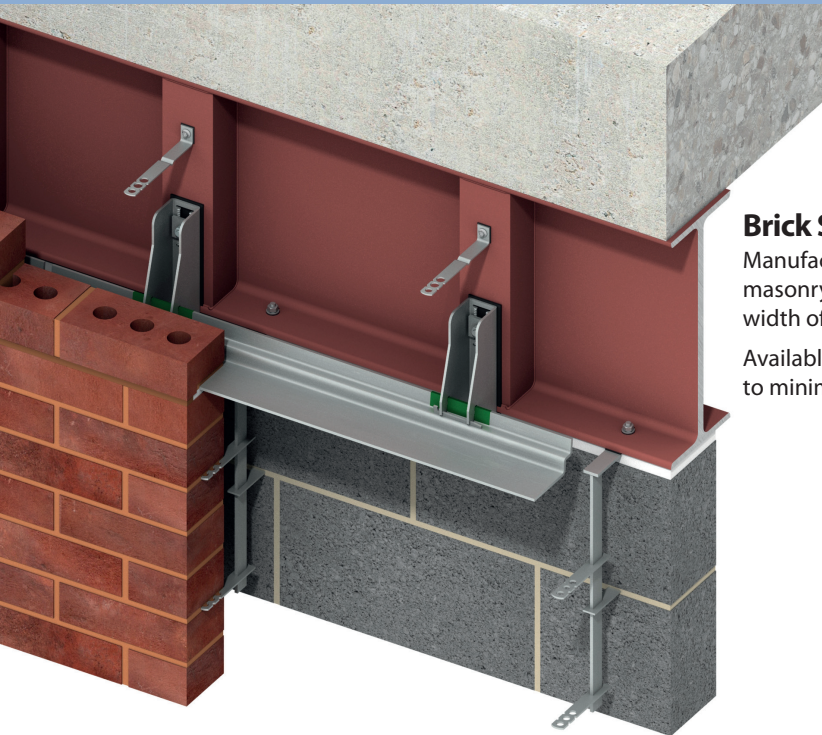


NEW Acoustic Wall Ties



Located in Sheffield, ANCON designs and manufactures a wide range of high integrity steel fixings for masonry and concrete construction.

Masonry Support, Restraint and Reinforcement



Brick Support

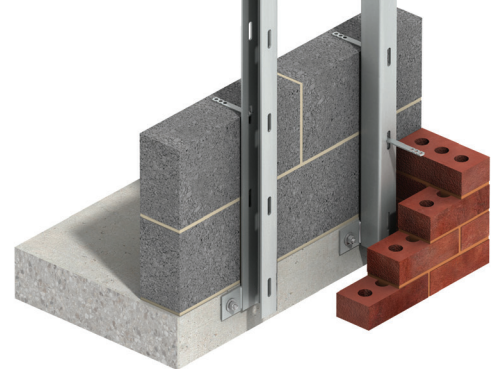
Manufactured to suit the masonry load and cavity width of your project

Available with thermal shims to minimise heat loss



Windposts & Masonry Reinforcement

Provide additional lateral support for panels of masonry



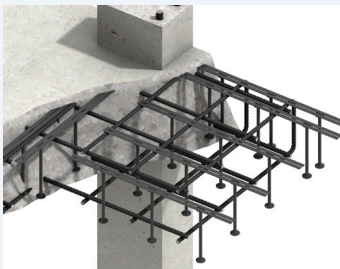
Wall Ties & Restraint Fixings

Download our iPhone or Android App to simplify the selection of cavity wall ties

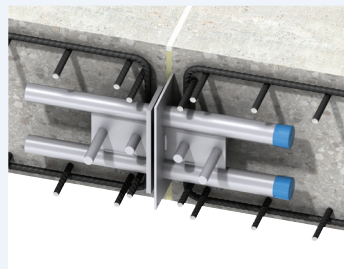


Engineered Concrete Connections

design software
available online



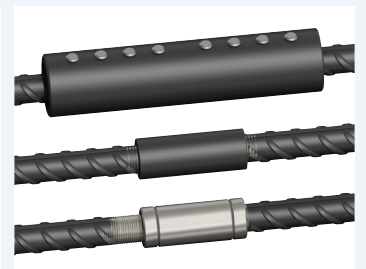
Punching Shear Reinforcement



Shear Load Connectors



Reinforcement Continuity



Reinforcing Bar Couplers

CE Marking

Products are CE Marked where required to the EU Construction Products Regulation
www.ancon.co.uk/CE



Building Information Modelling

For immediate access to an online portfolio of BIM Objects, visit
www.ancon.co.uk/BIM



Award-Winning Innovation

Ancon holds the highest business accolade for product development, the Queen's Award for Innovation



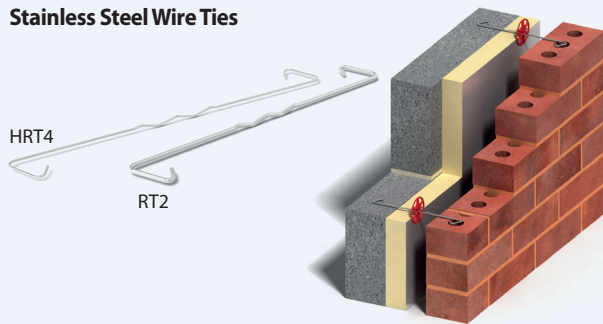
What's new from Ancon at Ecobuild 2015?

How Ancon can help improve the **thermal performance** of a building.

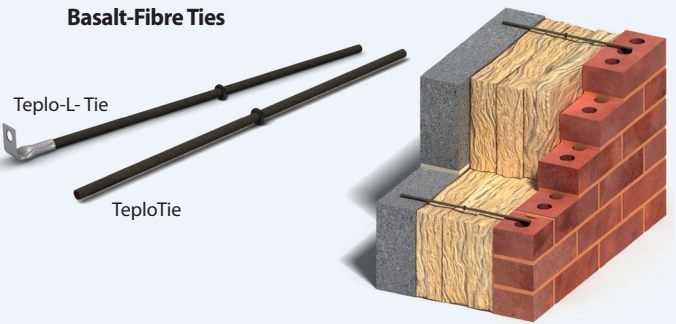
Insulating Wall Ties

Our low thermal conductivity wall ties reduce heat loss through masonry walls, minimising insulation depth and wall footprint.

Stainless Steel Wire Ties



Basalt-Fibre Ties

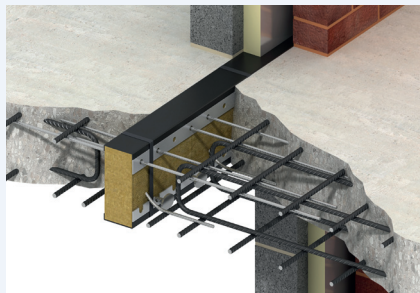


Insulated Balcony Connectors

Thermally efficient, high strength stainless steel connectors minimise heat loss at balcony locations while maintaining structural integrity.

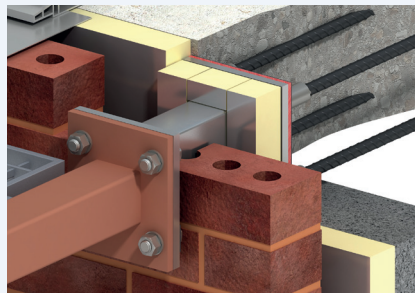
Concrete-to-Concrete Connector

Isotec



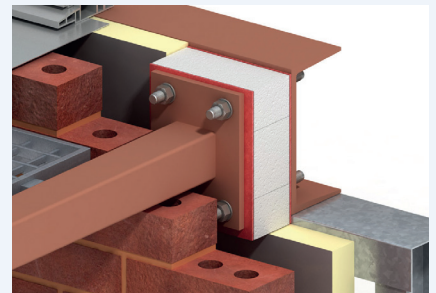
Steel-to-Concrete Connector

STC



Steel-to-Steel Connector

STS



Now available with stainless steel brackets

How Ancon can help improve the **acoustic resilience** of a building.

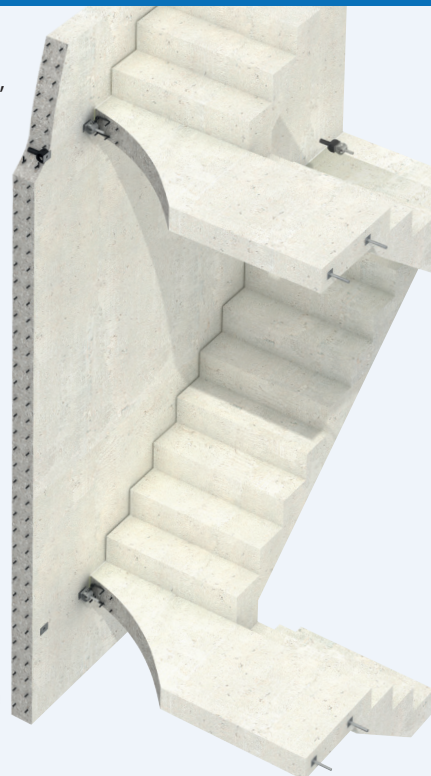
Acoustic Wall Ties

Featuring an integral acoustic isolation element, these wall ties minimise the transfer of airborne noise and vibrations.



Acoustic Shear Dowels

Replacing rigid floor connections, these shear dowels decouple concrete building elements and dampen impact noise in multi-storey developments.





Ancon Building Products
President Way, President Park
Sheffield S4 7UR
United Kingdom
Tel: +44 (0) 114 275 5224
Fax: +44 (0) 114 276 8543
Email: info@ancon.co.uk
Visit: www.ancon.co.uk
Follow on Twitter: @AnconUK



Ancon Building Products
98 Kurrajong Avenue
Mount Druitt
Sydney NSW 2770
Australia
Tel: +61 (0) 2 8808 3100
Fax: +61 (0) 2 9675 3390
Email: info@ancon.com.au
Visit: www.ancon.com.au



Ancon (Schweiz) AG
Gewerbezone Widalmi 10
3216 Ried bei Kerzers
Switzerland
Tel: +41 (0) 31 750 3030
Fax: +41 (0) 31 750 3033
Email: info@ancon.ch
Visit: www.ancon.ch



Ancon GmbH
Bartholomäusstrasse 26
90489 Nuremberg
Germany
Tel: +49 (0) 911 955 1234 0
Fax: +49 (0) 911 955 1234 9
Email: info@anconbp.de
Visit: www.anconbp.de



Ancon (Middle East) FZE
PO Box 17225
Jebel Ali
Dubai
United Arab Emirates
Tel: +971 (0) 4 883 4346
Fax: +971 (0) 4 883 4347
Email: info@ancon.ae
Visit: www.ancon.ae



Ancon Building Products
2/19 Nuttall Drive
Hillsborough
Christchurch 8022
New Zealand
Tel: +64 (0) 3 376 5205
Fax: +64 (0) 3 376 5206
Email: info@ancon.co.nz
Visit: www.ancon.co.nz



Ancon Building Products GesmbH
Puchgasse 1
A-1220 Vienna
Austria
Tel: +43 (0) 1 259 58 62-0
Fax: +43 (0) 1 259 58 62-40
Email: info@ancon.at
Visit: www.ancon.at



THE QUEEN'S AWARDS
FOR ENTERPRISE:
INNOVATION
2012