

Design Sheet - Masonry Panel Design to BS EN 1996 (UK National Annex)

Please ensure all fields marked with an asterisk * are completed.

1. CONTACT DETAILS

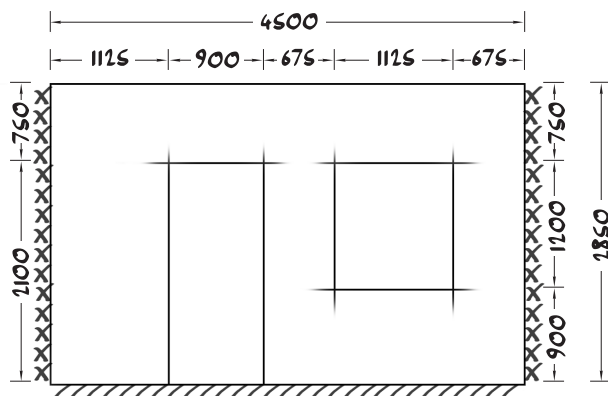
- * Contact name.....
- * Company.....
- * Address.....
-
- * Tel.....
- * Email.....
- * Project name and town.....
-

KEY TO SUPPORT CONDITIONS

- Free edge 
- Simply supported 
- Full continuity 

Note: The information that you provide below will be applied to both the inner and outer leaves unless otherwise specified.

EXAMPLE SKETCH



2. DESIGN CONDITIONS

Type of Wall:

* Single Leaf or Cavity Wall

* Cavity Width (mm)

Outer leaf:

* Material¹

* Width (mm)

* Unit Strength (N/mm²)

* Density as laid (kN/m³)

Inner leaf:

* Material¹

* Width (mm)

* Unit Strength (N/mm²)

* Density as laid (kN/m³)

Loads:

* Characteristic lateral load (kN/m²)

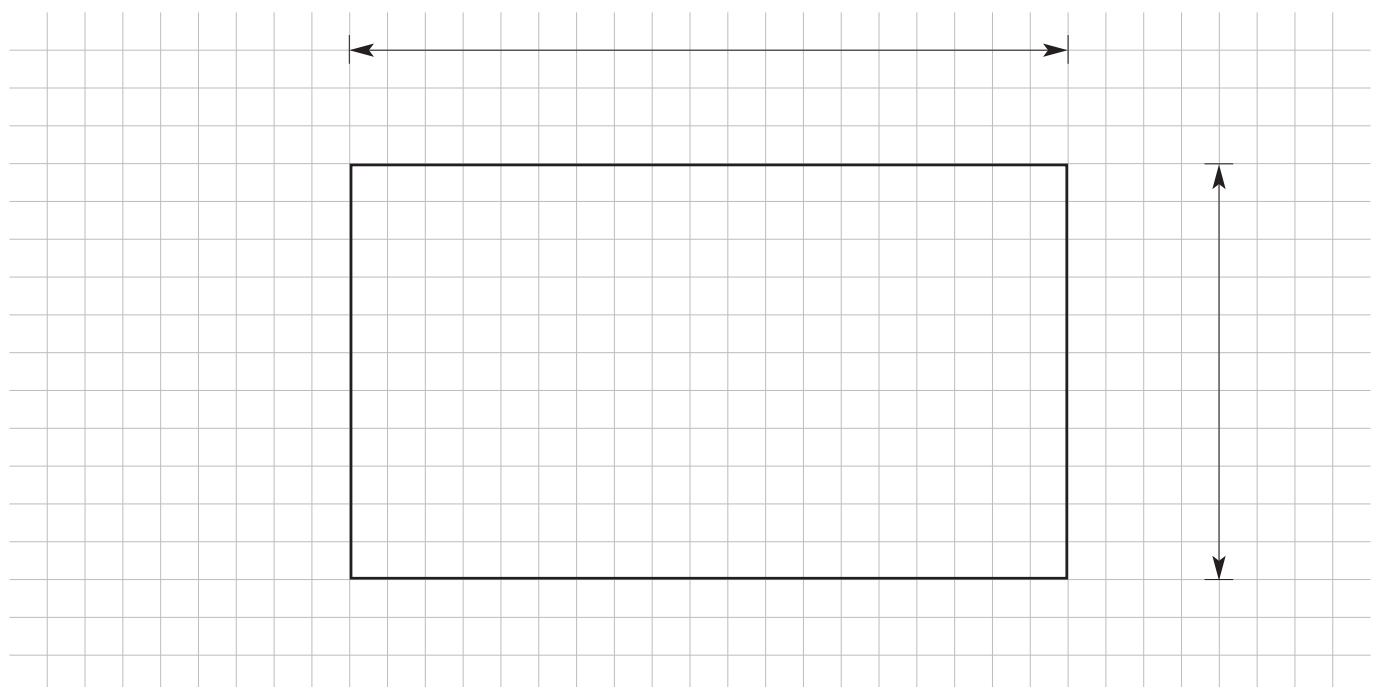
* Characteristic vertical dead load on panel (kN/m)

¹Please select from the following materials:

- | | |
|--------------------------|---------------------------|
| Clay brick | Aerated concrete block |
| Calcium silicate brick | Aggregate concrete block |
| Aggregate concrete brick | Clay block |
| Aerated concrete brick | Manufactured stone |
| | Dimensioned natural stone |

3. PANEL REF.

* Add all support conditions (see key) and dimensions below



Faxback to +44 (0) 114 276 8543 or email: tech@ancon.co.uk

Ancon Building Products, President Way, President Park, Sheffield S4 7UR, United Kingdom
Tel: +44 (0) 114 275 5224, Web: www.ancon.co.uk

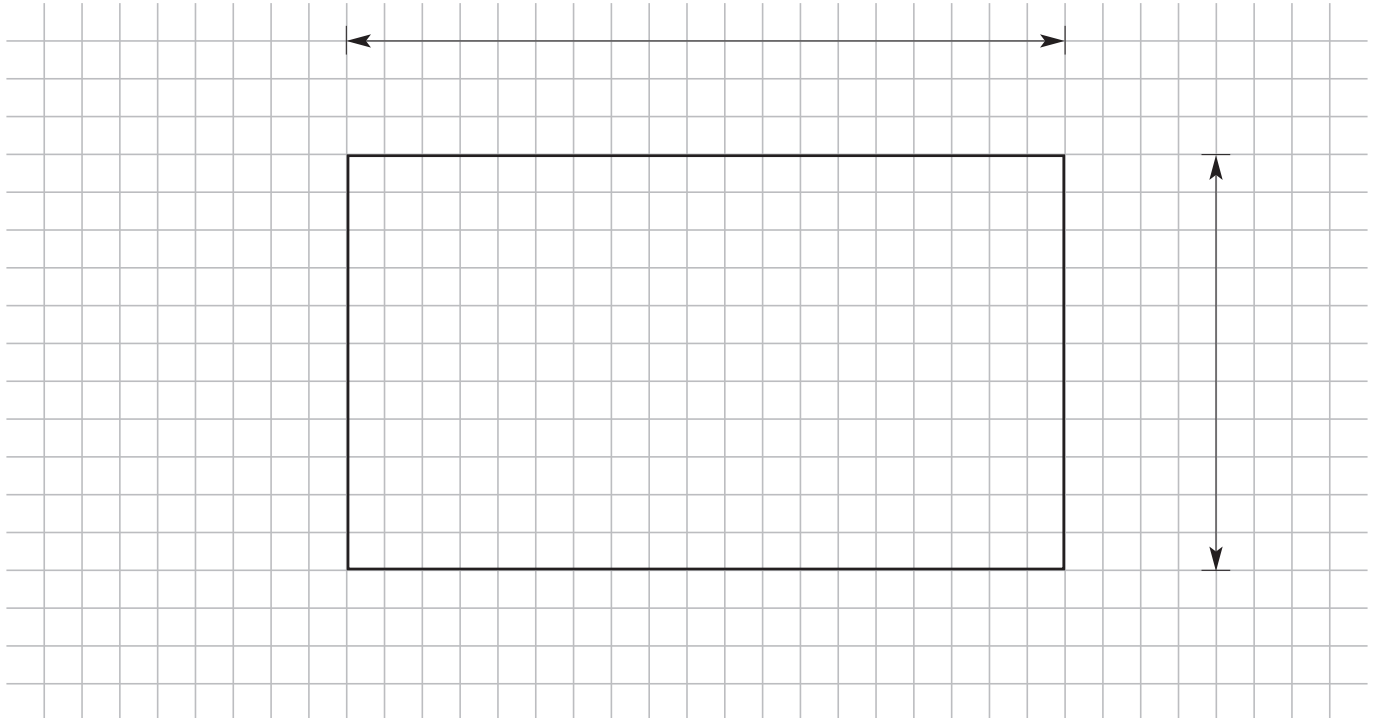
Design Sheet - Masonry Panel Design to BS EN 1996 (UK National Annex)

Only for use as a continuation page to an Ancon design sheet and where all loads and wall construction details are unchanged

COMPANY **PROJECT NAME & TOWN**

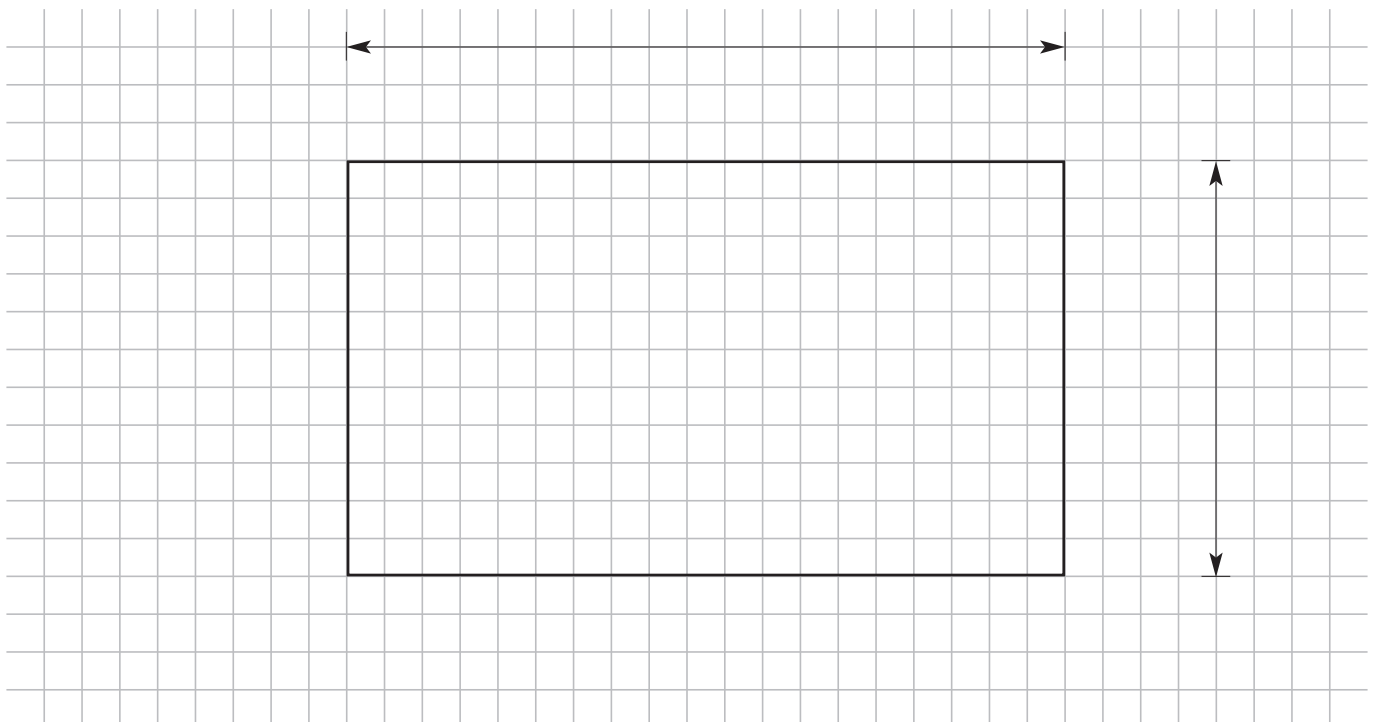
PANEL REF.

Add all support conditions and dimensions



PANEL REF.

Add all support conditions and dimensions



Faxback to +44 (0) 114 276 8543 or email: tech@ancon.co.uk

Ancon Building Products, President Way, President Park, Sheffield S4 7UR, United Kingdom.
Tel: +44 (0) 114 275 5224, Web: www.ancon.co.uk