

**ANCON INTERNAL HEAD RESTRAINTS**

IHR Head Restraint provide the necessary restraint at the top of masonry walls. The top stem fits inside the lower angle section to allow vertical movement to take place between the wall and the structural frame. The standard IHR is designed to suit a 215mm high block.

**POSITION**

IHR Head Restraints will typically be positioned at 450mm or 900mm centres depending on the expected load at the top of the wall. Each stem can resist a maximum load of 1.5kN\*. IHR-B and IHR-V respectively have a hole and slot to suit an M8 bolt.

IHR's should ideally be position centrally in the width of the wall, where this is not possible the centre of the stem should be at least 50mm from the edge of the wall. The maximum joint between the top of the blockwork and the underside of the frame is not normally greater than 25mm. Where the gap at the top increases from 25mm to 50mm, the working load is reduced from 1.5kN to 1.0kN.

The horizontal leg of the lower section which is approximately 6mm thick, should be placed directly on top of the block below. Both the bed joint and each side of the stem in the vertical joint should be filled with mortar.

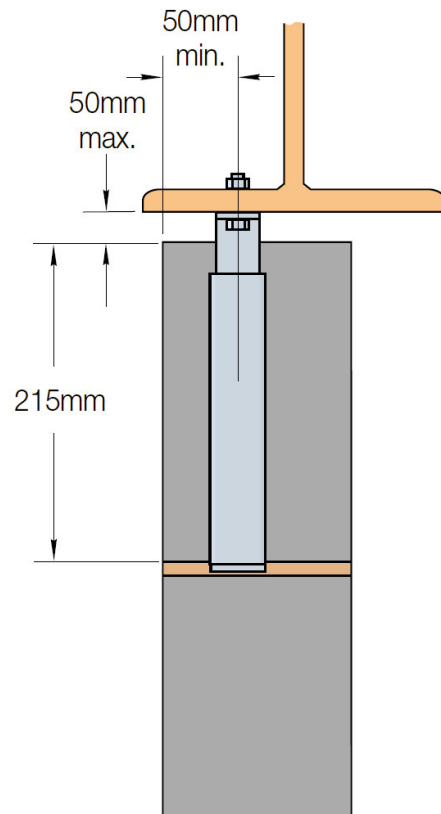
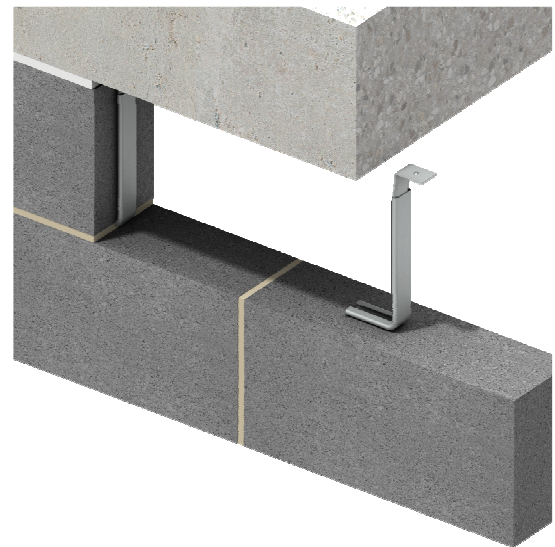
**FIXINGS**

Where IHR-B or IHR-V are used, the head of the fixing bolt will reduce the amount of possible vertical movement. Bolt projections should be kept to a minimum, the top of the block may need to be cut back locally to accommodate the fixing head.

**\*The IHR-H can resist a load of 1kN. For more information please read the 'Non-Drill Fixings Range' installation guide.**

**SAFETY PRECAUTIONS**

Ancon stainless steel products are produced from sheared plate. As with all such industrial fabrications, these may present sharp edges. **Suitable personal protective equipment should be worn at all times during handling and installation.**



© Ancon Building Products, 2011

The Construction applications and details provided in this guide are indicative only.

In every case installation should be entrusted to appropriately qualified and experienced persons.

Normal handling precautions should be taken to avoid physical injury. Ancon Building Products cannot be held responsible for any injury as a result of using our products, unless such injury arises as a result of our negligence.