

Design Sheet - Ancon SAH Sliding Anchors and Ties

Standard dimensions are shown. Complete all necessary boxes to specify your product requirements.
Return the completed form to Ancon to request a quotation.

CONTACT DETAILS

Contact name.

Company

Address

.....

Tel.

Fax

Email

Project name and town.

.....

WALL TIES

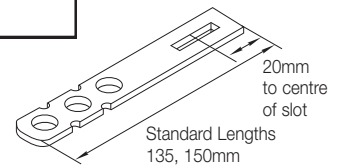
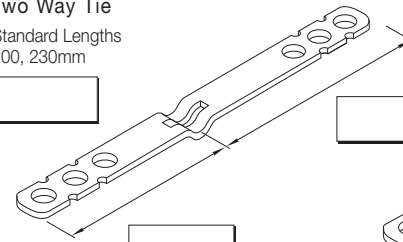
SIS

Two Way Tie

Standard Lengths
200, 230mm

Quantity

SPI
One Way Tie

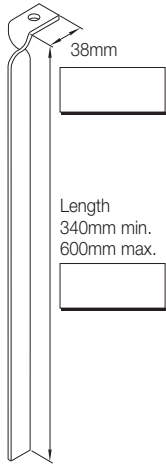


Standard Lengths
135, 150mm

Quantity

STANDARD HEAD OPTIONS

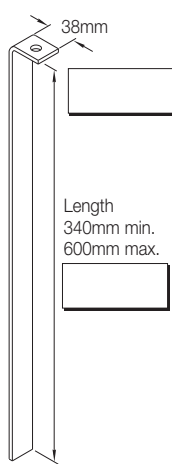
SAH - T



Length
340mm min.
600mm max.

Quantity

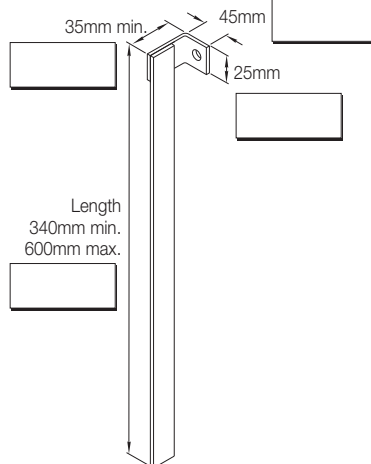
SAH - U



Length
340mm min.
600mm max.

Quantity

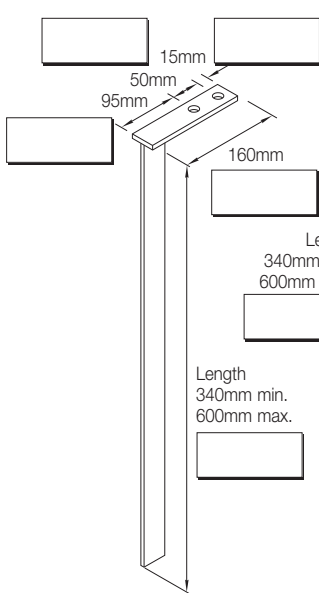
SAH - UF



Length
340mm min.
600mm max.

Quantity

SAH - UO

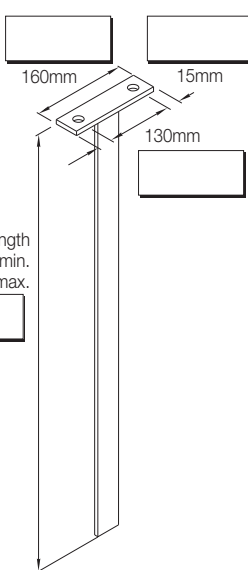


Length
340mm min.
600mm max.

Length
340mm min.
600mm max.

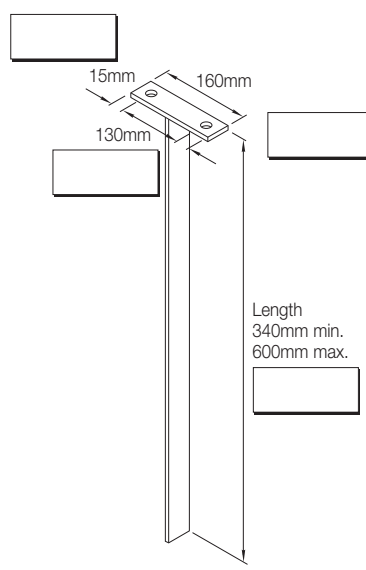
Quantity

SAH - UT



Quantity

SAH - UC

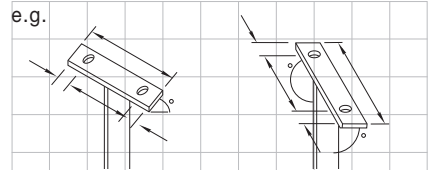


Length
340mm min.
600mm max.

Quantity

NON-STANDARD HEAD OPTIONS

e.g.



Please sketch requirements and provide dimensions.

Grid area for sketching non-standard head options.

Quantity

Faxback to +44 (0) 114 276 8543 or email: sales@ancon.co.uk

Ancon Building Products, President Way, President Park, Sheffield S4 7UR, United Kingdom
Tel: +44 (0) 114 275 5224, Web: www.ancon.co.uk