

Hammer-On Tie and Head Restraint - Design Sheet

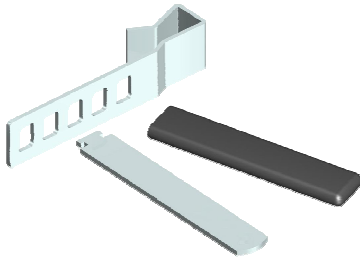
FAO: Sales Department

To enable Ancon to supply the most appropriate fixing for your application please complete the necessary details below and fax back to +44 (0) 114 276 8543.

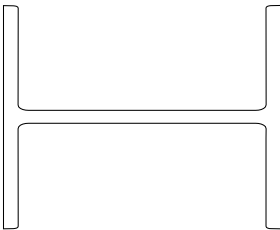


1. Hammer-On Column Tie

Components

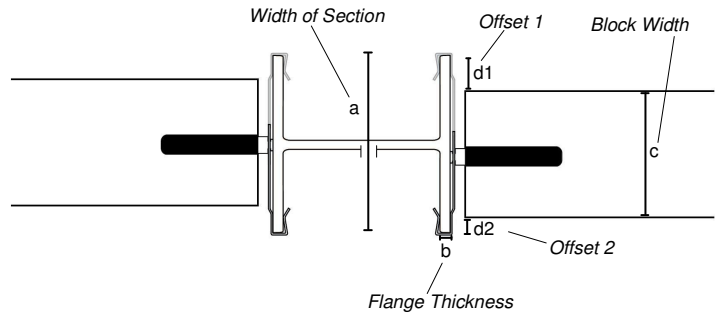


Your Application



a = _____ mm
b = _____ mm
c = _____ mm
d1 = _____ mm
d2 = _____ mm

Example Application in Plan View



Performance data: Ancon Hammer-On ties have an individual declared shear capacity of 2.7kN; when fixed at 225mm vertical centres, staggered on alternate sides of the column flange (effective centres 450mm on each side) the shear capacity per metre will be 6kN in either direction.

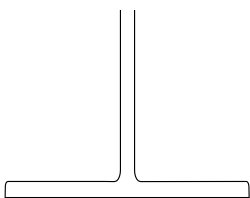
Quantity required _____ No.

2. Hammer-On Head Restraint (IHR-H)

Components

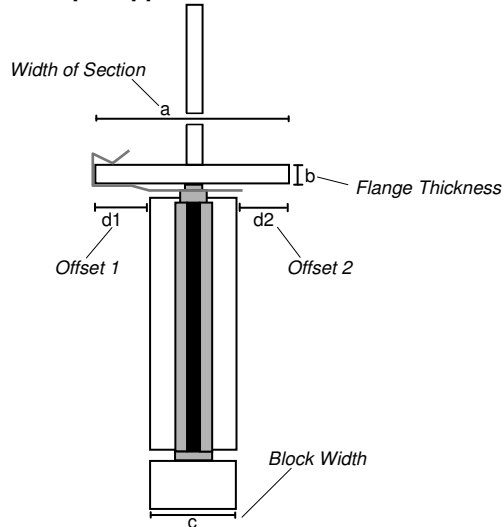


Your Application



a = _____ mm
b = _____ mm
c = _____ mm
d1 = _____ mm
d2 = _____ mm

Example Application in Vertical Section View



3. Your Details

Contact: _____

Company Name: _____

Address: _____

Tel: _____

Fax: _____

Quotation Tick boxes as appropriate

Order Delivery to above address

Quantity required _____ No.

Fax Back to: +44 (0) 114 276 8543

Ancon Building Products, President Way, President Park, Sheffield, S4 7UR Tel: +44 (0) 114 275 5224 Email: info@ancon.co.uk