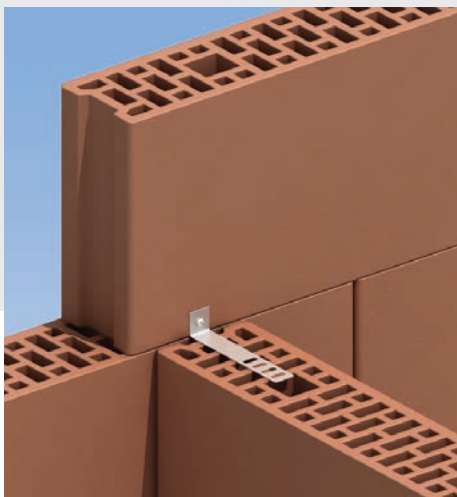


Extended Range

Ancon[®] Wall Ties

for use with
Cellular Clay Blocks



Developed for use with the Porotherm System

 **POROTHERM**

Ancon[®]

Wall Ties

for use with Cellular Clay Blockwork

Ancon has developed an innovative range of wall ties for use with cellular clay blockwork, where the horizontal bed joints are just 1mm. The range includes ties for internal wall junctions and internal/external cavity walls. They are manufactured from corrosion-resistant stainless steel and are suitable for use in housing and commercial applications.

Brick-to-Block Cavity Walls

Ancon CCB4

Two-part wall ties to connect external brick to internal cellular clay block.

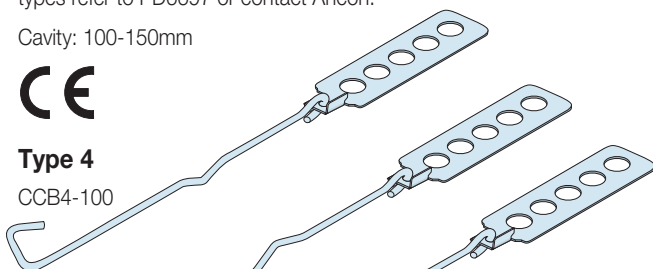
Installation is phased which eliminates any danger of injury from wall ties projecting from a part built cavity wall. For complete information on tie types refer to PD6697 or contact Ancon.

Cavity: 100-150mm

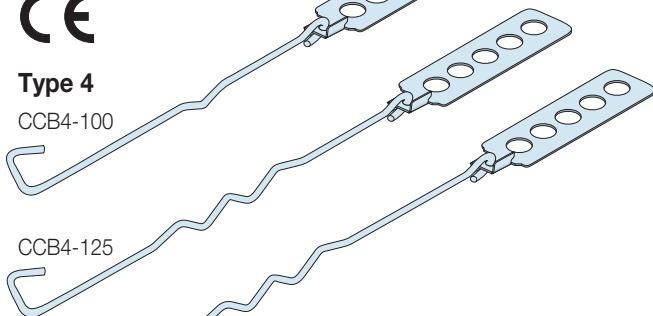


Type 4

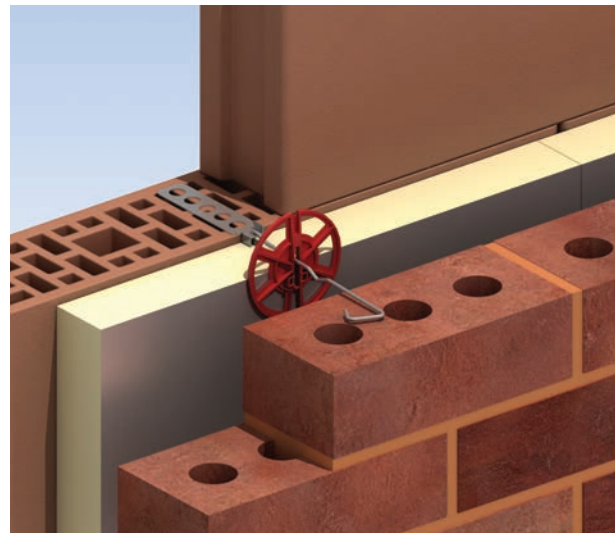
CCB4-100



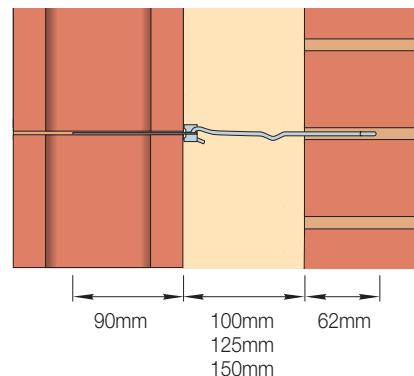
CCB4-125



CCB4-150



CCB4 Wall Ties



Cellular Clay Block to Traditional Masonry

Product Reference	Cavity Width (mm)	Type 4 Performance	Type 3 Performance	Type 2 Performance
			Horizontal x Vertical Spacings (mm)	
CCB4-100	100	900 x 450	600 x 450	450 x 450
CCB4-125	125	900 x 450	600 x 450	375 x 400
CCB4-150	150	900 x 450	450 x 450	-

Notes: At vertical edges of an opening, unreturned or unbonded edges, additional ties should be used at a rate of one per 300mm height, located not more than 225mm from the edge. For complete information on tie types refer to PD6697.

Cellular Clay Block Cavity Walls

Ancon CCB-JJ for External Walls

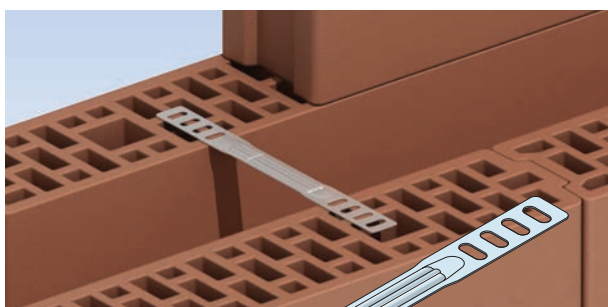
One-part wall tie for use in external walls where both leaves are constructed from cellular clay block. Suitable for use with Ancon TJ Insulation Retaining Clip.

Cavity: 50-200mm

Available in three lengths

Type 3: 210, 260mm

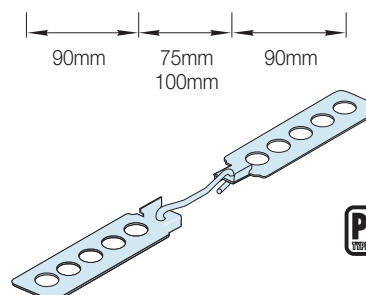
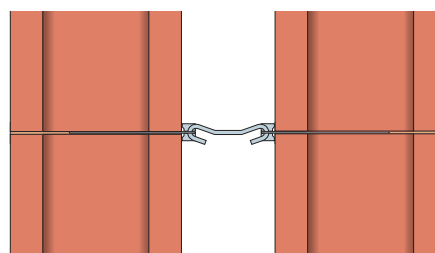
Type 4: 360mm



Ancon CCBA for Internal Walls

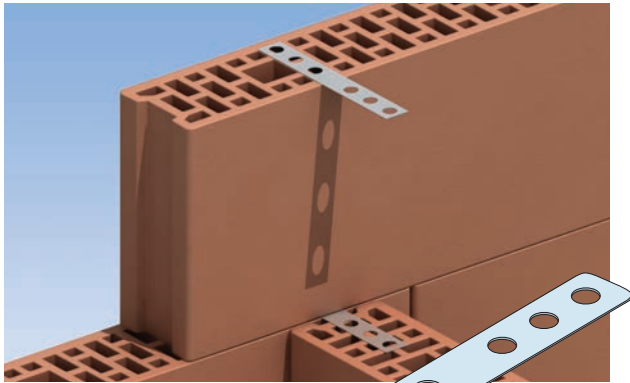
Three-part wall tie for use in internal separating (party) walls where both leaves are constructed from cellular clay block.

Cavity: 75mm, 100mm



Internal Wall Junctions

Ancon CCB-IWJ-180

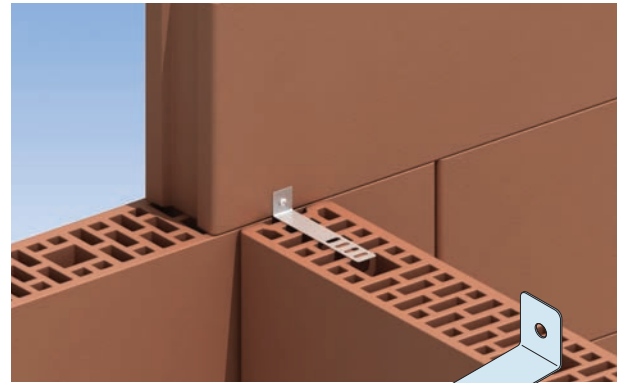


Flat tie for connecting perimeter walls to internal walls

Standard Length: 180mm

Note: For block widths greater than 140mm, two ties should be used per course

Ancon CCB-L200

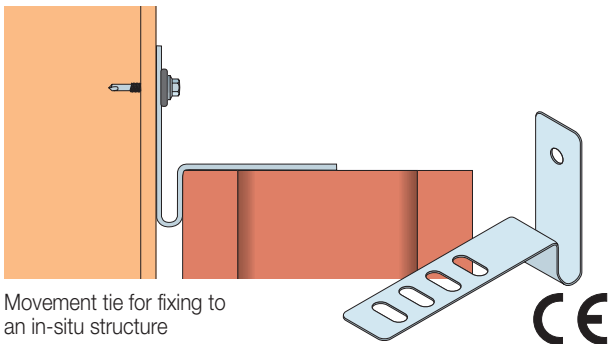


Abutment tie for connecting perimeter walls to dividing walls

Standard Length: 130mm

Declared Shear Value: 159N

Ancon CCB-SMJ-200

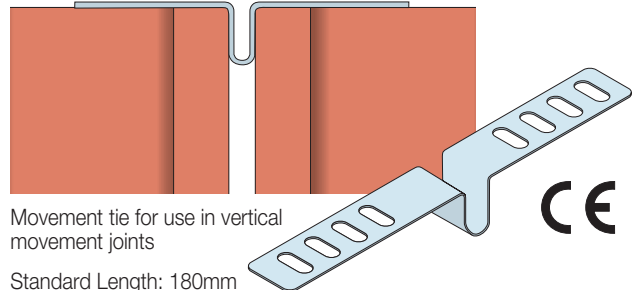


Movement tie for fixing to an in-situ structure

Standard Length: 110mm

Declared Shear Value: 159N

Ancon CCB-TMJ-200



Movement tie for use in vertical movement joints

Standard Length: 180mm

Declared Shear Value: 159N

Windposts for Cellular Clay Blockwork

Ancon Windposts are designed to span vertically between floors to provide lateral support for panels of brickwork. A range of wall ties is available to suit Ancon windposts when used with an inner leaf of cellular clay blocks.

The CCB-SPN connects channel profile posts to the inner cellular clay block leaf and CCB-SNS ties are used across angle shaped posts installed in the inner leaf.

Ancon WP1/3 Channel Windpost



One way windpost tie

CCB-SPN

Ancon WP2 Angle Windpost



Two way windpost tie

CCB-SNS

Ancon[®]

**Ancon Ltd**

President Way, President Park
Sheffield S4 7UR
United Kingdom
Tel: +44 (0) 114 275 5224
Fax: +44 (0) 114 276 8543
Email: info@ancon.co.uk
Visit: www.ancon.co.uk

Ancon (Middle East) FZE

PO Box 17225
Jebel Ali
Dubai
United Arab Emirates
Tel: +971 (0) 4 883 4346
Fax: +971 (0) 4 883 4347
Email: info@ancon.ae
Visit: www.ancon.ae

Ancon Building Products

98 Kurrajong Avenue
Mount Druitt
Sydney
NSW 2770
Australia
Tel: +61 (0) 2 8808 3100
Fax: +61 (0) 2 9675 3390
Email: info@ancon.com.au
Visit: www.ancon.com.au

Ancon Building Products

2/19 Nuttall Drive
Hillsborough
Christchurch 8022
New Zealand
Tel: +64 (0) 3 376 5205
Fax: +63 (0) 3 376 5206
Email: info@ancon.co.nz
Visit: www.ancon.co.nz

Ancon (Schweiz) AG

Grenzstrasse 24
3250 Lyss
Switzerland
Tel: +41 (0) 31 750 3030
Fax: +41 (0) 31 750 3033
Email: info@ancon.ch
Visit: www.ancon.ch

**Ancon Building Products
GesmbH**

Puchgasse 1
A-1220 Vienna
Austria
Tel: +43 (0) 1 259 58 62-0
Fax: +43 (0) 1 259 58 62-40
Email: info@ancon.at
Visit: www.ancon.at

Ancon GmbH

Bartholomäusstrasse 26
90489 Nuremberg
Germany
Tel: +49 (0) 911 955 1234 0
Fax: +49 (0) 911 955 1234 9
Email: info@anconbp.de
Visit: www.anconbp.de



THE QUEEN'S AWARDS
FOR ENTERPRISE-
INTERNATIONAL TRADE
2015



THE QUEEN'S AWARDS
FOR ENTERPRISE-
INNOVATION
2015

These products are available from:

© Ancon 2018

The construction applications and details provided in this literature are indicative only. In every case, project working details should be entrusted to appropriately qualified and experienced persons.

Whilst every care has been exercised in the preparation of this document to ensure that any advice, recommendations or information is accurate, no liability or responsibility of any kind is accepted in respect of Ancon Ltd.

With a policy of continuous product development Ancon Ltd reserves the right to modify product design and specification without due notice.



Porotherm is a Wienerberger brand, is a registered trade mark and is used with permission from Wienerberger Limited