

# Design Sheet - Ancon SPA System

**Please provide: contact, project and design details**

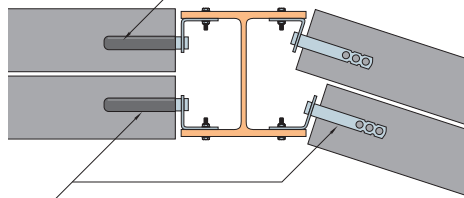
## Contact Details

Contact name .....	Tel .....
Company .....	Fax .....
Address .....	Email .....
.....	Project name and town .....
.....	.....

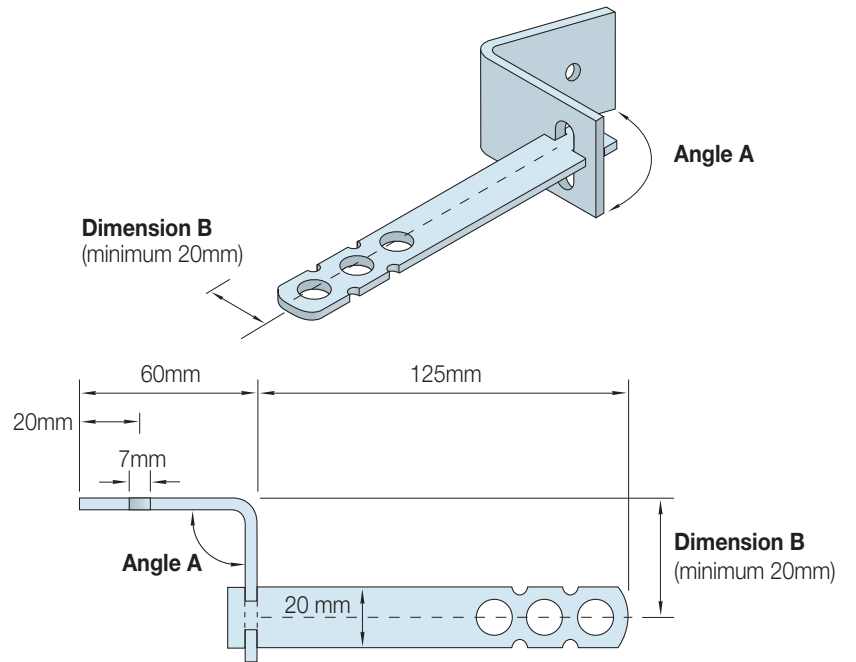
## Typical Application

SPA Frame Cramps Fixed to Steel with M6 Isolated Set Screws

Debonding Sleeve for use at movement joint



Wall Ties should be positioned centrally in the masonry leaf.  
**Use Dimension B to achieve this.**



**Only Angle A and Dimension B are flexible. Other dimensions are fixed. If other dimensions need to change to suit your application, please contact Leviat's Technical Services Team on 0114 275 5224 for advice.**

<b>Your SPA Reference</b>	<b>Debonding Sleeve Yes or No</b>	<b>Angle A</b>	<b>Dimension B</b>	<b>Quantity</b>
.....	.....	.....	.....	.....
.....	.....	.....	.....	.....
.....	.....	.....	.....	.....
.....	.....	.....	.....	.....
.....	.....	.....	.....	.....
.....	.....	.....	.....	.....
.....	.....	.....	.....	.....
.....	.....	.....	.....	.....
.....	.....	.....	.....	.....
.....	.....	.....	.....	.....
.....	.....	.....	.....	.....
.....	.....	.....	.....	.....
.....	.....	.....	.....	.....
.....	.....	.....	.....	.....
.....	.....	.....	.....	.....
.....	.....	.....	.....	.....

