

# Design Sheet - Internal Column Ties

Please provide: contact details; project details and design conditions

## Contact Details

Contact name .....  
 Company .....  
 Address .....  
 .....  
 .....  
 Tel .....  
 Fax .....  
 Email .....  
 Project name and town .....

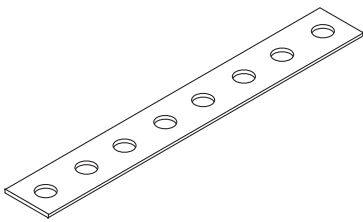
Tick boxes as appropriate

Order       Quotation Request

Delivery to contact address

## Internal Column Tie

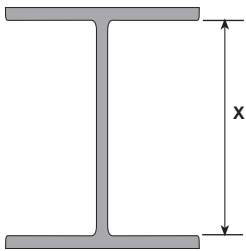
Used when blockwork sits within column



### Standard Sizes

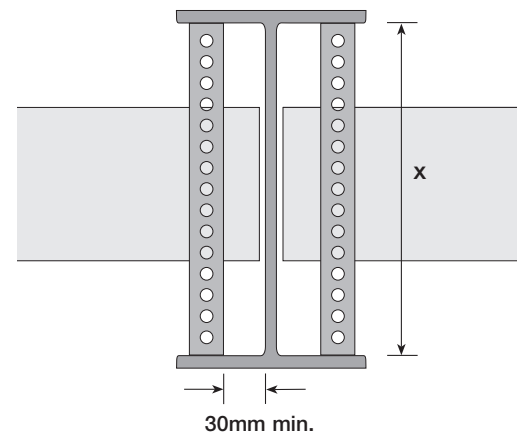
Length (mm)	Beam/Column Accommodated
179	203 x 203 UC
186	203 x 133 UB
224	254 x 254 UC
232	254 x 146 UB
275	305 x 305 UC
281	305 x 127 & 165 UB
330	356 x 127 & 171 UB

### Your Application



X = ..... mm

## Example Application in Plan View

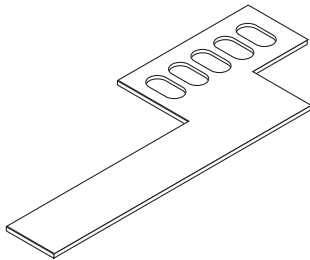


Please note: Install at 225mm vertical centres

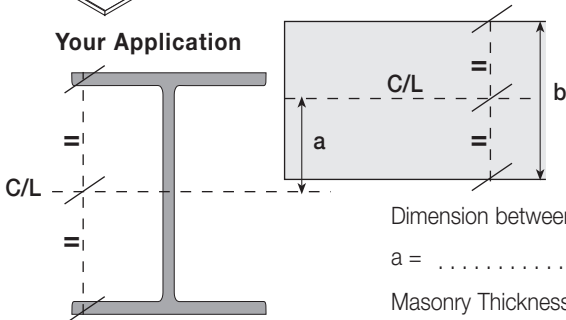
Quantity required ..... No.

## Special Internal Column Tie

Used when blockwork sits outside column



### Your Application



Dimension between centrelines of steelwork and blockwork

a = ..... mm

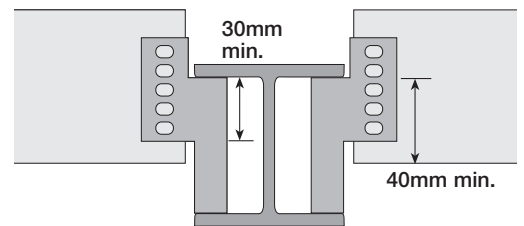
Masonry Thickness

b = ..... mm

Column Size e.g. **254 x 254 x 89 UC**

.....

## Example Application in Plan View



Quantity required ..... No.

## Email to [tech@ancon.co.uk](mailto:tech@ancon.co.uk)

Ancon Ltd, President Way, President Park, Sheffield S4 7UR, United Kingdom  
 Tel: +44 (0) 114 275 5224, Web: [www.ancon.co.uk](http://www.ancon.co.uk)

# Ancon®