

# Design Sheet - Ancon Tension Systems

## Anchor Disc Cross Brace with Three Bars

### 1. Contact Details

Contact name .....  
 Company .....  
 Address .....  
 .....  
 Tel .....  
 Fax .....  
 Email .....

### 2. Project Details

Project name and address .....  
 .....  
 .....  
 .....

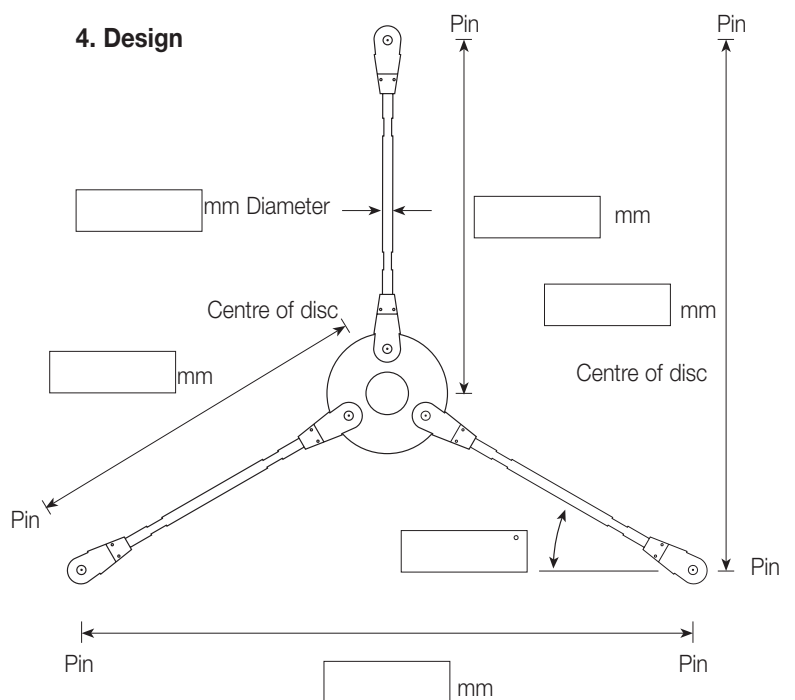
**Please tick one**

Order     Quotation Request

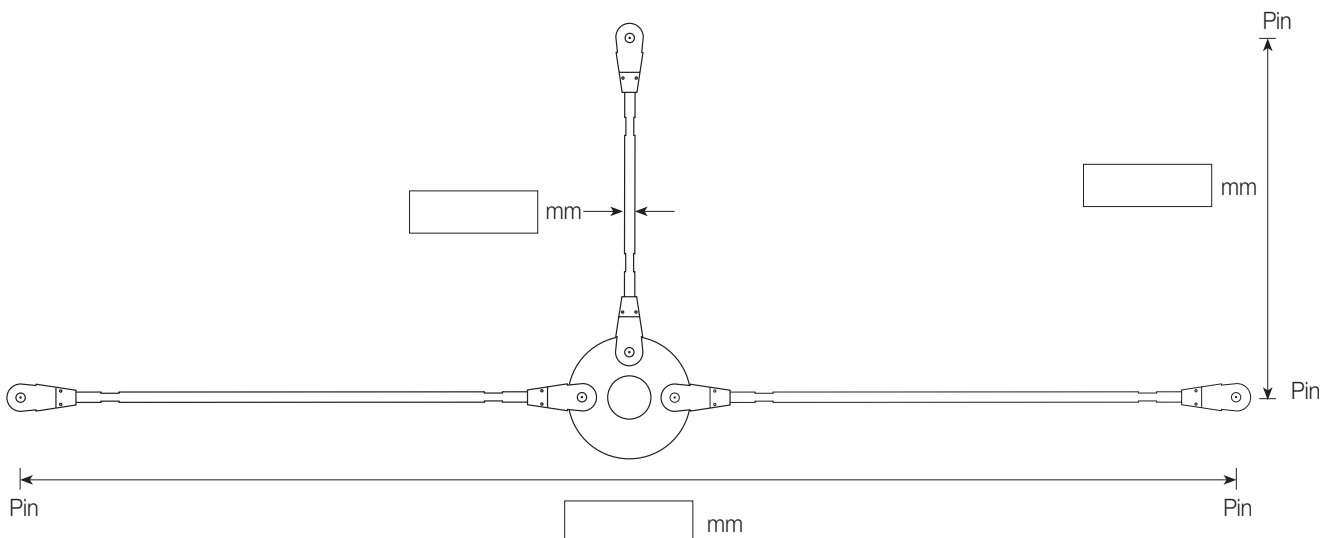
### 3. Finish (please tick one)

- Carbon Steel 1 = Untreated bar, zinc plated fork and nut, untreated disc
- Carbon Steel 2 = Zinc plated bar, fork, nut and disc
- Carbon Steel 3 = Hot dip galvanised bar and disc, zinc plated fork and nut
- Stainless Steel 4 = Bright drawn bar, electro-polished fork and nut, machined disc
- Stainless Steel 5 = Bright drawn bar, satin-polished fork, nut and disc
- Stainless Steel 6 = Hand polished bar, fork, nut and disc

### 4. Design



Quantity of this design



Email to [tech.ancon.uk@leviat.com](mailto:tech.ancon.uk@leviat.com)

Leviat, President Way, President Park, Sheffield, S4 7UR, UK.  
 Tel: +44 (0) 114 238 5224, Web: [Ancon.co.uk](http://Ancon.co.uk) | [Leviat.com](http://Leviat.com)

