

# Design Sheet - Windposts to BS EN 1993 (Eurocode 3)

Please complete questions 1-12 below. This will enable us to produce drawings for approval prior to manufacture.  
**One windpost specification per sheet.**

**Note:** Where loads are provided, a partial safety factor ( $\gamma_Q$ ) of 1.5 will be used to check serviceability.

## 1. Contact Details

Contact Name.....  
 Company.....  
 Office Address.....  
 .....  
 Project Name.....  
 Site Address.....  
 Tel.....  
 Email.....  
 Order No. ....

## 2. Purpose of Your Enquiry (tick box as appropriate)

New Quote       Amendment to Existing Quote  
 New Order       Existing Order

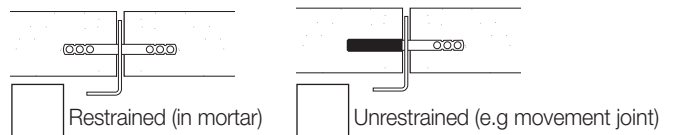
## 3. Type of Windpost:

(tick one box only)



**Note:** Windposts will be detailed and supplied as orientated above unless otherwise stated.

### 3a. If WP2, indicate wall tie conditions crossing post



## 4. State either

Section Size e.g. 140 x 70 x 4 mm

or

Design Load/Post (kN) ULS e.g. 7kN .....

## 5. Number Required

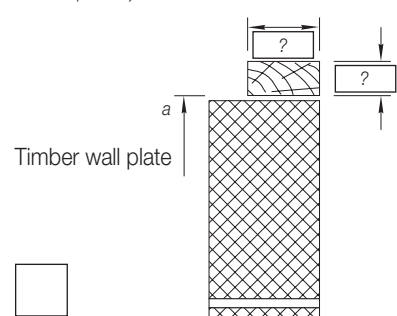
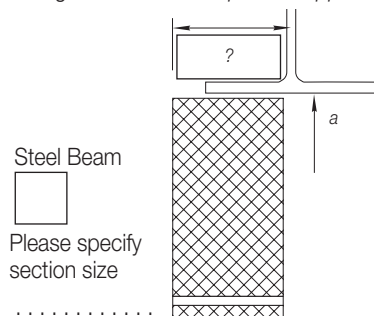
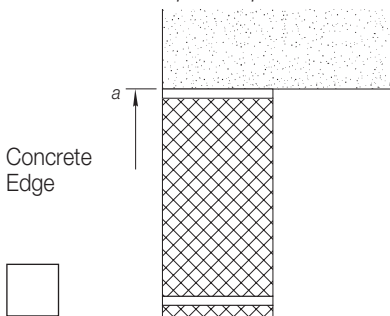
Number of windposts required to this specification .....

## 6. Length

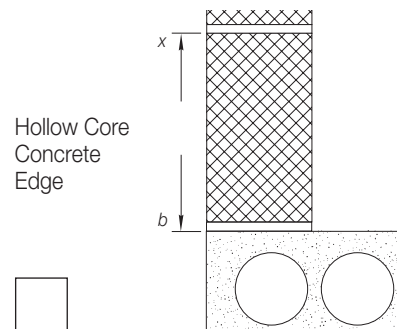
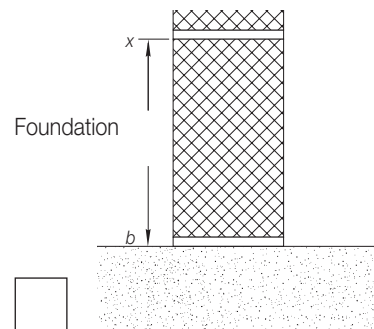
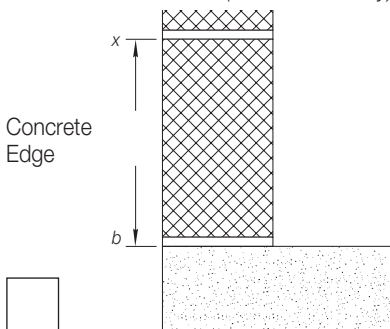
Structural Opening a to b (mm) .....

## 7. Top Connection (tick one box only)

Please indicate required top connection from drawings below and complete all applicable dimensions (see ?).



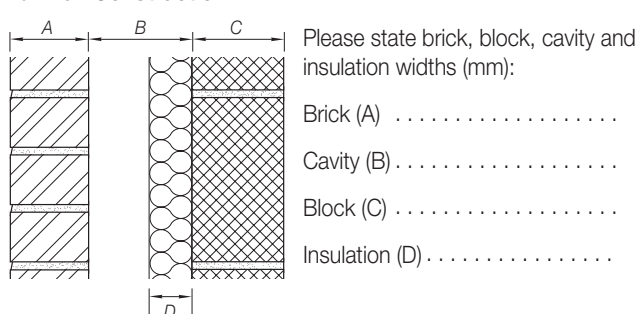
## 8. Base Connection (tick one box only)



## 9. Slot Dimension

Please state dimension from base to first tie position to match coursing - b to x (mm) .....

## 10. Wall Construction



## 11. Drawings Attached?

No       Yes  (Please attach drawings showing section through building if available)

## 12. Special Conditions?

No       Yes   (Specify here or in an attachment)

Post will be designed with standard Ancon Windpost Ties i.e. SPN/SDN/SNS, unless special conditions are specified e.g. thin joint mortar, remedial application etc.

Email to [info.ancon.uk@leviat.com](mailto:info.ancon.uk@leviat.com)

Leviat, President Way, President Park, Sheffield, S4 7UR, UK.  
 Tel: +44 (0) 114 238 5224, Web: [Ancon.co.uk](http://Ancon.co.uk) | [Leviat.com](http://Leviat.com)

