

Special Lintels

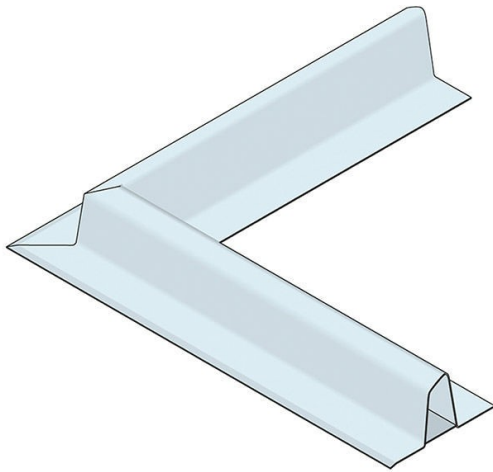
Ancon can design and manufacture special stainless steel lintels for applications where standard lintels are unsuitable.

Solutions can be supplied for complex features such as corbels and other architectural details.

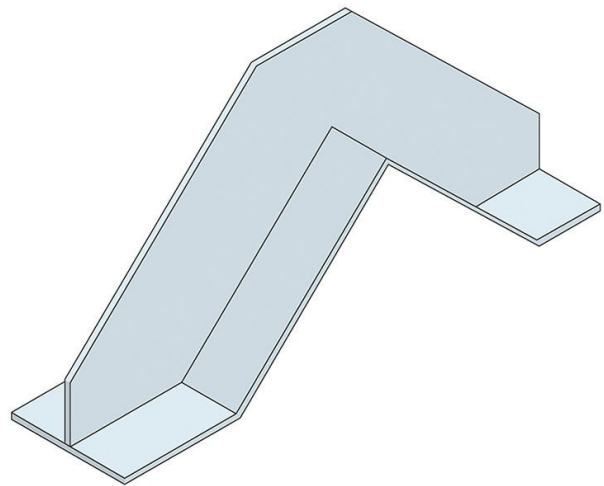
Special cranked, bay, corner and cantilevered corners are available in addition to the following arch shapes:

- Segmental arch
- Semi-circular arch
- Apex arch
- Gothic arch
- Flat top arch
- Double arch

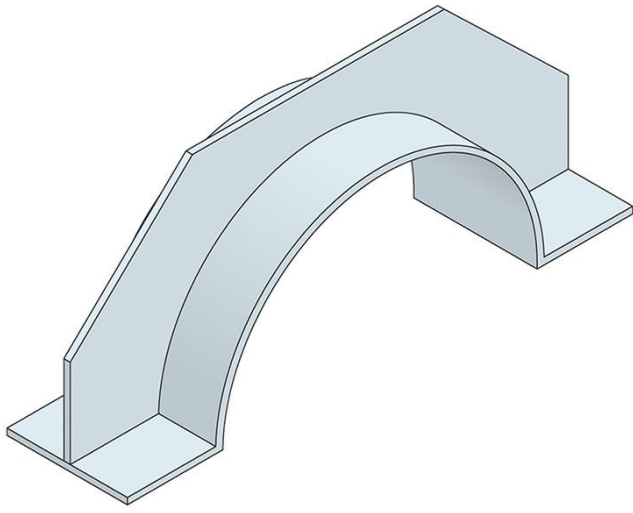
Ancon's Technical Services Team will offer advice on the most appropriate lintel or alternative method of supporting masonry.



Corner arch



Apex arch



Semi-circular arch

CE Marking

Like all of Ancon's bespoke fabrication work, our custom-designed lintels carry CE marking to BS EN 1090-1 confirming design to EN 1993 (Eurocode 3) and manufacture at facilities externally audited by an approved body.



Ancon[®]
BUILDING PRODUCTS

President Way, President Park, Sheffield S4 7UR

T: +44 (0) 114 275 5224 F: +44 (0) 114 276 8543 E: info@ancon.co.uk www.ancon.co.uk